

Manta, shimmering waves.

design Dodo Arslan & Nicolas Terzani
terzani.com


TERZANI



Name
Manta
pendant light

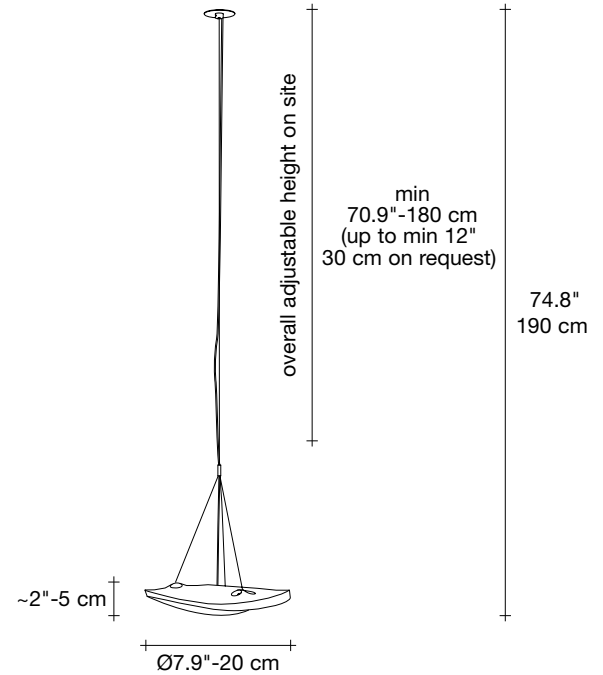
Materials
clear crystal

Finishes | Code

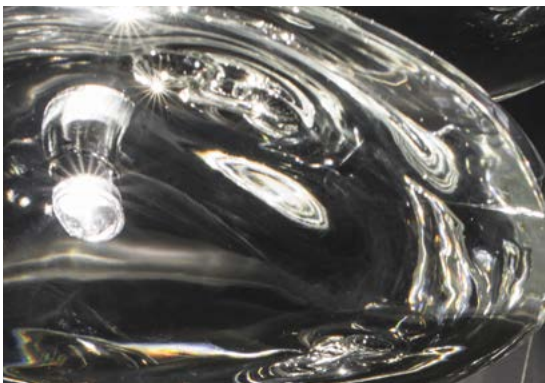
 clear crystal
OK011E8A9KK

Body

NO DRIVER INCLUDED




Not suitable for sloped ceilings



Light source
500mA ~ 50/60Hz

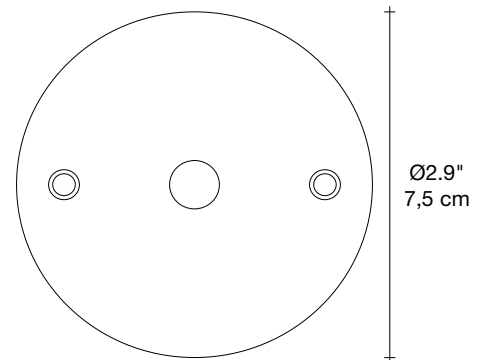
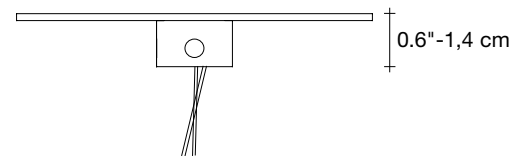
 Built in Replaceable LED Module
1.5W 135 lm 3000K

dimnable drivers available

 not dimmable

 0/1-10V
PUSH
DALI

Disc | white



Manta was created featuring sinuous, undulating lines. The result is soft waves of crystal light reminiscent of being un-derwater. The innovative Manta is made of crystal, with a dim-mable integrated led lamp focused on maximizing the crystal's reflection. Manta's organic form is available in two sizes and can be installed in numerous, custo-mizable arrangements. Design Dodo Arslan & Nicolas Terzani.

Manta, shimmering waves.

design Dodo Arslan & Nicolas Terzani
terzani.com

TERZANI



Name
Manta
pendant light

Materials
clear crystal

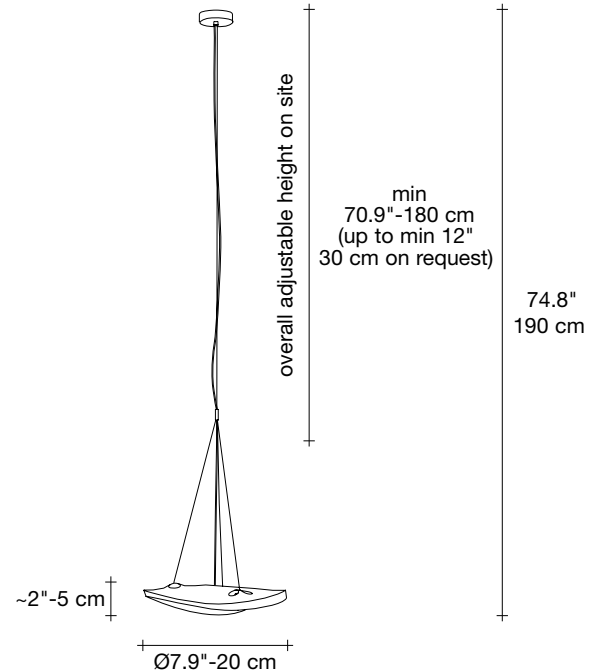


Finishes | Code

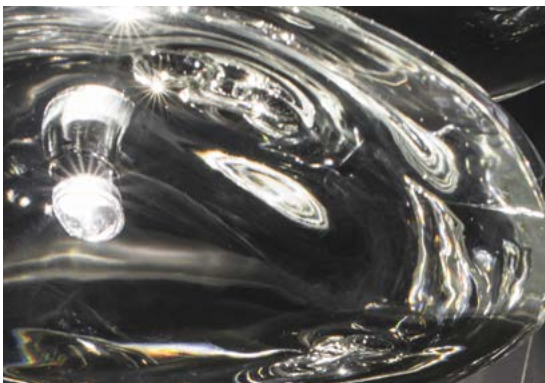


clear crystal
OK011E8A9

Body



Not suitable for sloped ceilings

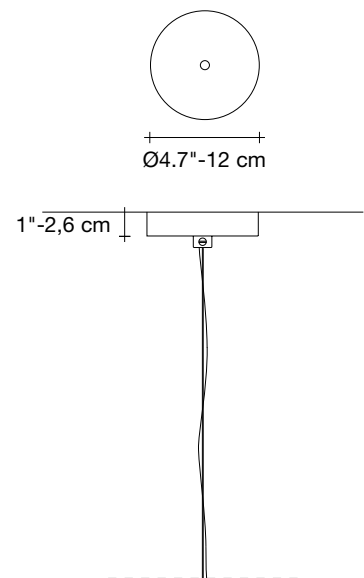


Light source
120V ~ 50/60Hz

Built in Replaceable LED Module
1.5W 135 lm 3000K

not dimmable

Canopy | white



Manta was created featuring sinuous, undulating lines. The result is soft waves of crystal light reminiscent of being un-derwater. The innovative Manta is made of crystal, with a dim-mable integrated led lamp focused on maximizing the crystal's reflection. Manta's organic form is available in two sizes and can be installed in numerous, custo-mizable arrangements. Design Dodo Arslan & Nicolas Terzani.

Manta, shimmering waves.

design Dodo Arslan & Nicolas Terzani
terzani.com


TERZANI



Name
Manta
pendant light

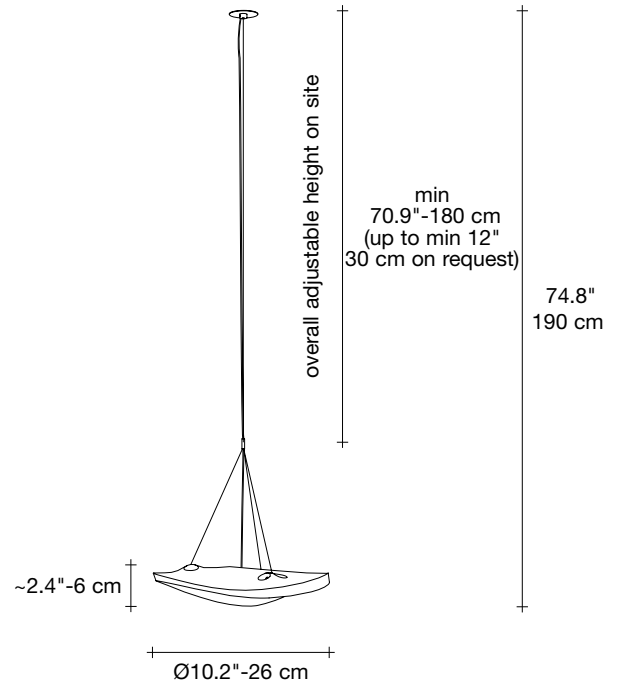
Materials
clear crystal

Finishes | Code

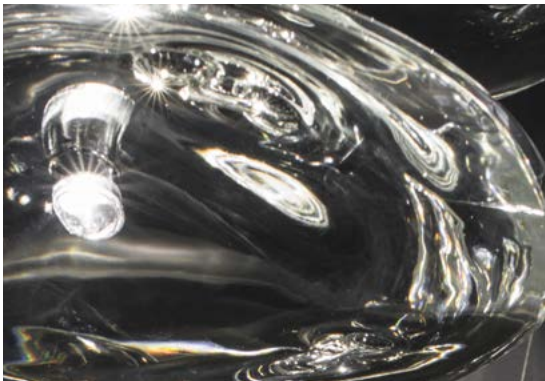
 clear crystal
OK012E8A9KK

Body

NO DRIVER INCLUDED




Not suitable for sloped ceilings



Light source
500mA ~ 50/60Hz

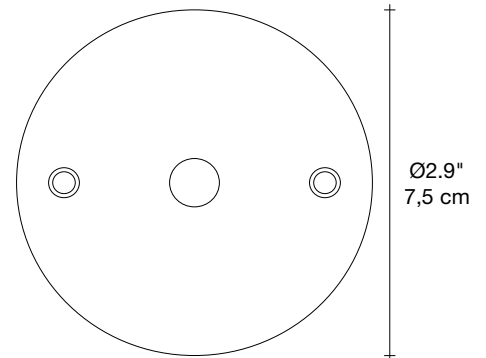
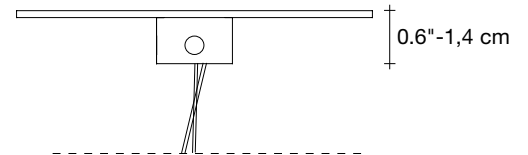
 Built in Replaceable LED Module
1.5W 135 lm 3000K

dimnable drivers available

 not dimmable

 0/1-10V
PUSH
DALI

Disc | white



Manta was created featuring sinuous, undulating lines. The result is soft waves of crystal light reminiscent of being un-derwater. The innovative Manta is made of crystal, with a dim-mable integrated led lamp focused on maximizing the crystal's reflection. Manta's organic form is available in two sizes and can be installed in numerous, custo-mizable arrangements. Design Dodo Arslan & Nicolas Terzani.

Manta, shimmering waves.

design Dodo Arslan & Nicolas Terzani
terzani.com

TERZANI



Name
Manta
pendant light

Materials
clear crystal

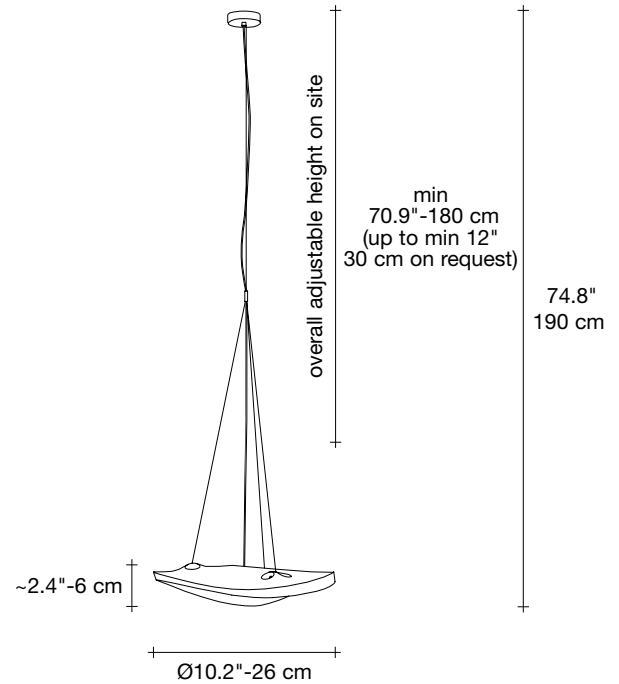


Finishes | Code

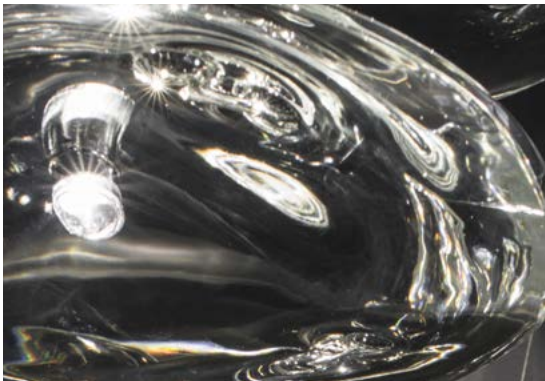


clear crystal
OK012E8A9

Body



Not suitable for sloped ceilings

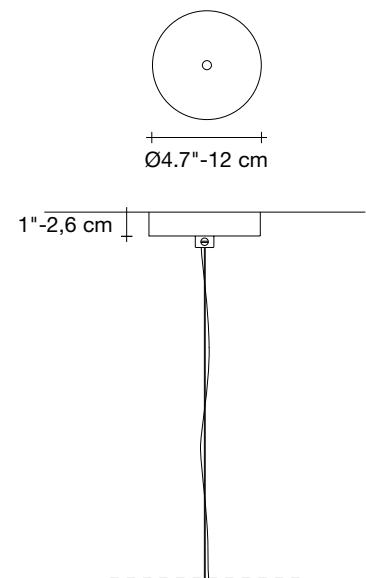


Light source
120V ~ 50/60Hz

⊙ Built in Replaceable LED Module
1.5W 135 lm 3000K

⊗ not dimmable

Canopy | white



Manta was created featuring sinuous, undulating lines. The result is soft waves of crystal light reminiscent of being un-derwater. The innovative Manta is made of crystal, with a dim-mable integrated led lamp focused on maximizing the crystal's reflection. Manta's organic form is available in two sizes and can be installed in numerous, custo-mizable arrangements. Design Dodo Arslan & Nicolas Terzani.

Manta, shimmering waves.

design Dodo Arslan & Nicolas Terzani
terzani.com

TERZANI




Name
Manta
3 light pendant

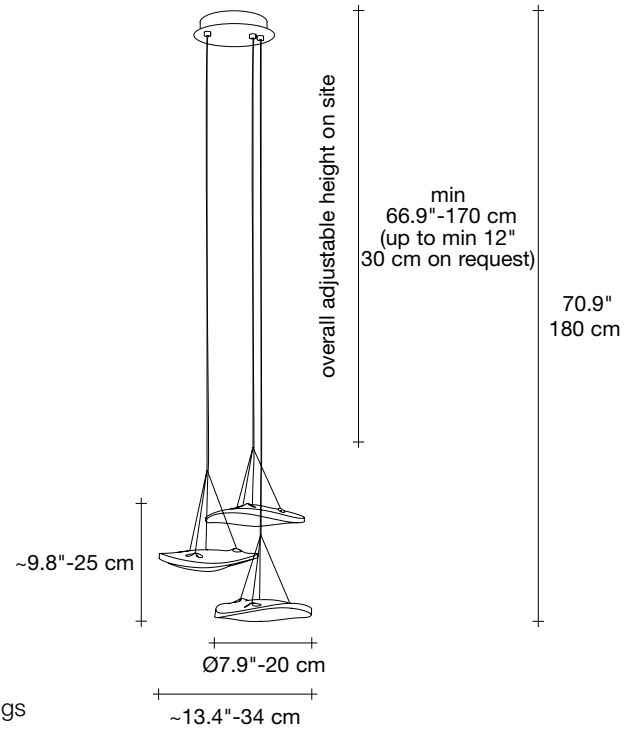
Materials
clear crystal



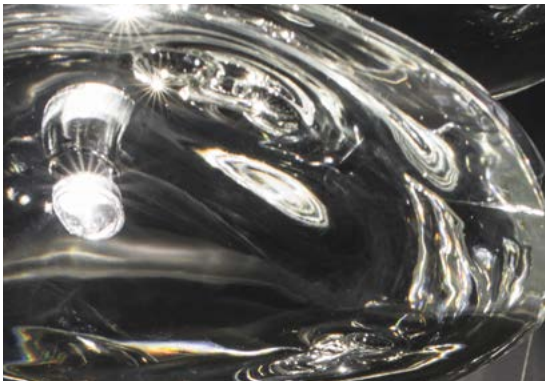
Finishes | Code

 clear crystal
OK031E8A9


Body



Not suitable for sloped ceilings



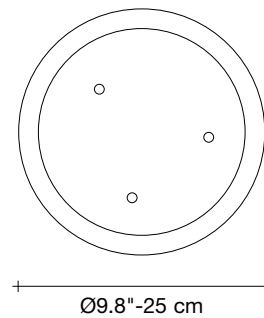
Light source
120V ~ 50/60Hz

 Built in Replaceable LED Module
3 x 1.5W 405 lm 3000K

dimnable options

 1-10V
PUSH

Canopy | white



Manta was created featuring sinuous, undulating lines. The result is soft waves of crystal light reminiscent of being un-derwater. The innovative Manta is made of crystal, with a dim-mable integrated led lamp focused on maximizing the crystal's reflection. Manta's organic form is available in two sizes and can be installed in numerous, custo-mizable arrangements. Design Dodo Arslan & Nicolas Terzani.

