

Manta, shimmering waves.

design Dodo Arslan & Nicolas Terzani
terzani.com

TERZANI




Name
Manta
pendant light

Materials
clear crystal

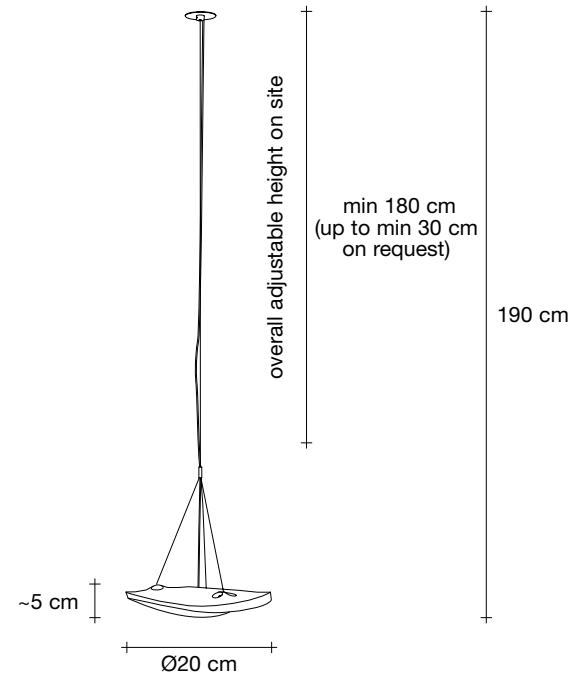
CE ENEC CB

Finishes | Code

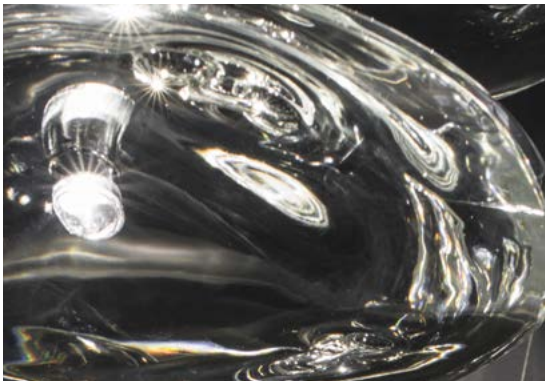
 clear crystal
OK011E8A9KK

Body


NO DRIVER INCLUDED




Not suitable for sloped ceilings



Light source
500mA ~ 50/60Hz

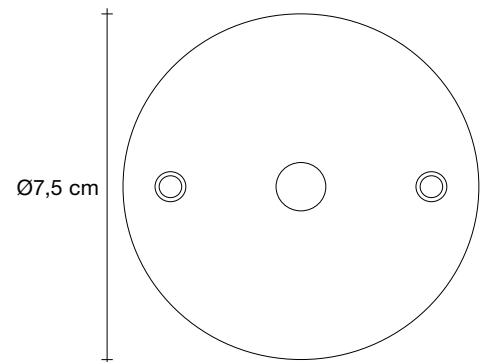
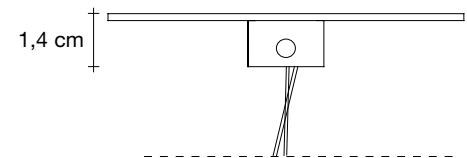
 Built in Replaceable LED Module
1,5W 135 lm 3000K
or optional 115 lm 2700K

dimnable drivers available

 not dimmable

 0/1-10V
PUSH
DALI

Disc | white



Manta was created featuring sinuous, undulating lines. The result is soft waves of crystal light reminiscent of being un-derwater. The innovative Manta is made of crystal, with a dim-mable integrated led lamp focused on maximizing the crystal's reflection. Manta's organic form is available in two sizes and can be installed in numerous, custo-mizable arrangements. Design Dodo Arslan & Nicolas Terzani.

Manta, shimmering waves.

design Dodo Arslan & Nicolas Terzani
terzani.com

TERZANI




Name
Manta
pendant light

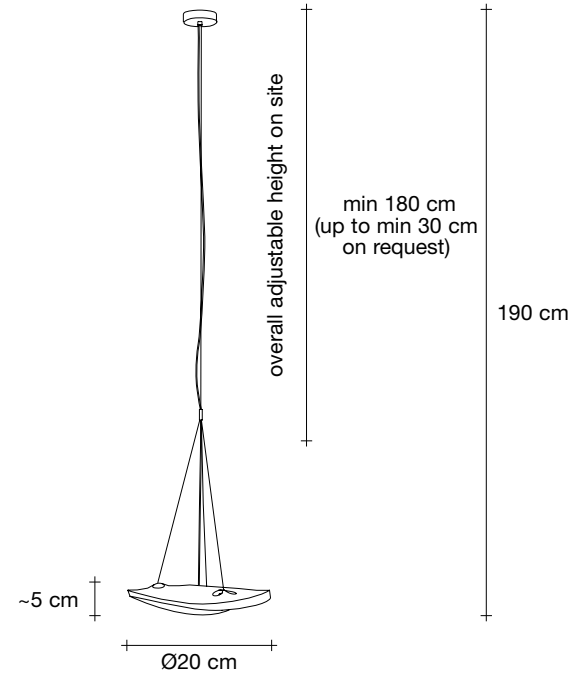
Materials
clear crystal

CE ENEC CB

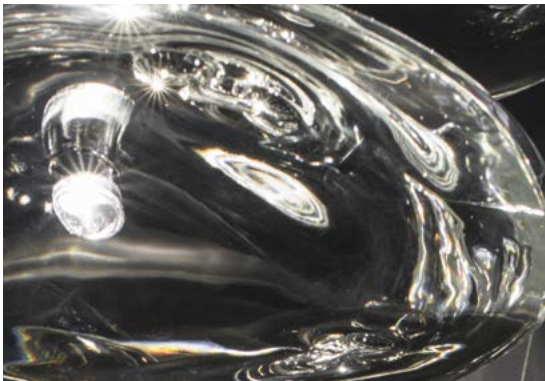
Finishes | Code

 clear crystal
OK011E8A9


Body




Not suitable for sloped ceilings



Light source
230-240V ~ 50/60Hz

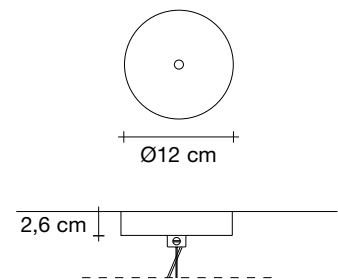
 Built in Replaceable LED Module
1,5W 135 lm 3000K
or optional 115 lm 2700K

dimnable options

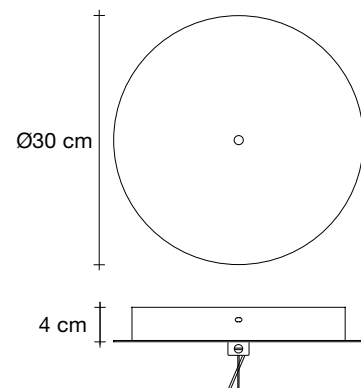
 not dimmable

 PUSH
DALI

Canopy | white



Canopy for DALI | white



Manta was created featuring sinuous, undulating lines. The result is soft waves of crystal light reminiscent of being un-derwater. The innovative Manta is made of crystal, with a dim-mable integrated led lamp focused on maximizing the crystal's reflection. Manta's organic form is available in two sizes and can be installed in numerous, custo-mizable arrangements. Design Dodo Arslan & Nicolas Terzani.

Manta, shimmering waves.

design Dodo Arslan & Nicolas Terzani
terzani.com

TERZANI




Name
Manta
pendant light

Materials
clear crystal

CE ENEC CB

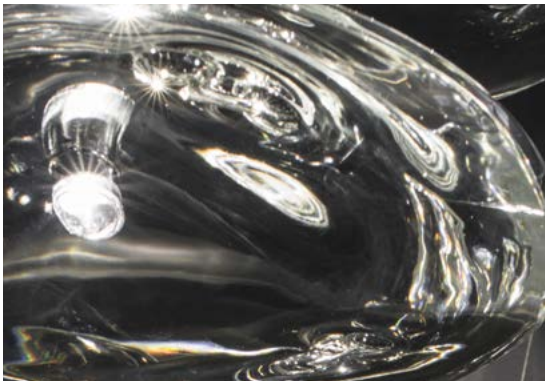
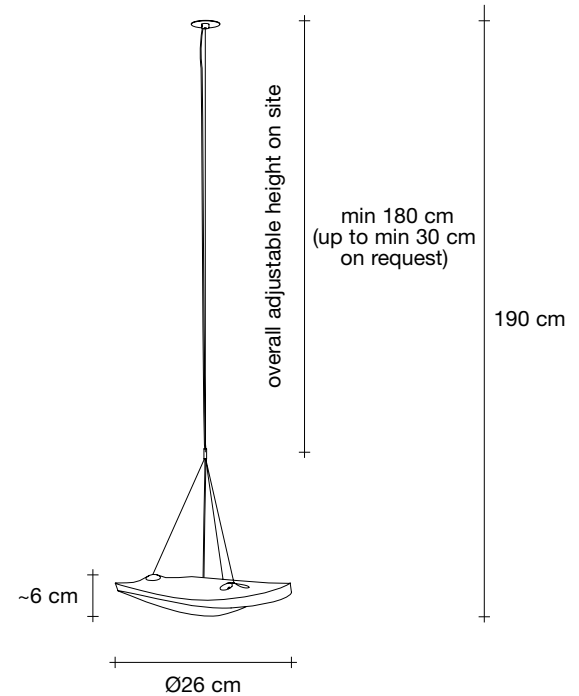
Finishes | Code

 clear crystal
OK012E8A9KK


Not suitable for sloped ceilings

Body


NO DRIVER INCLUDED



Light source
500mA ~ 50/60Hz

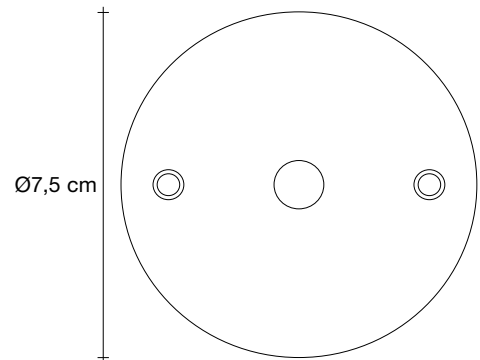
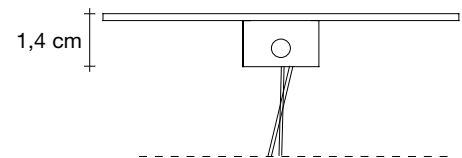
 Built in Replaceable LED Module
1,5W 135 lm 3000K
or optional 115 lm 2700K

dimnable drivers available

 not dimmable

 1-10V
PUSH
DALI

Disc | white



Manta was created featuring sinuous, undulating lines. The result is soft waves of crystal light reminiscent of being un-derwater. The innovative Manta is made of crystal, with a dim-mable integrated led lamp focused on maximizing the crystal's reflection. Manta's organic form is available in two sizes and can be installed in numerous, custo-mizable arrangements. Design Dodo Arslan & Nicolas Terzani.

Manta, shimmering waves.

design Dodo Arslan & Nicolas Terzani
terzani.com

TERZANI




Name
Manta
pendant light

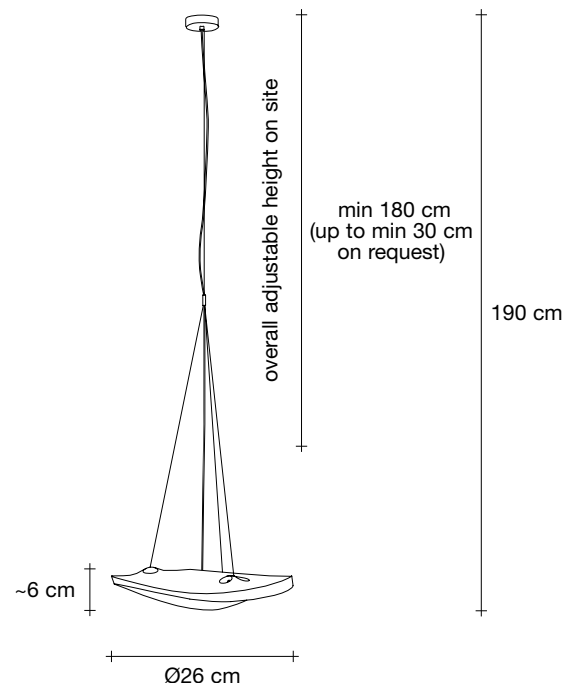
Materials
clear crystal

CE ENEC CB

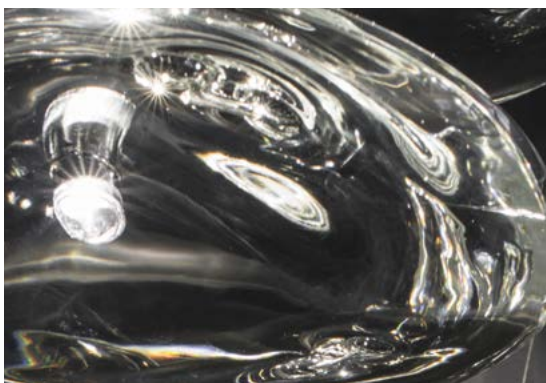
Finishes | Code

 clear crystal
OK012E8A9


Body




Not suitable for sloped ceilings



Light source
230-240V ~ 50/60Hz

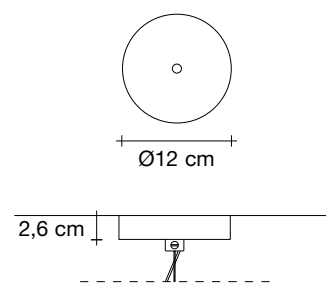
 Built in Replaceable LED Module
1,5W 135 lm 3000K
or optional 115 lm 2700K

dimnable options

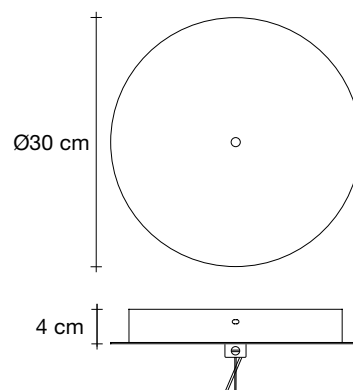
 not dimmable

 PUSH
DALI

Canopy | white



Canopy for DALI | white *



Manta was created featuring sinuous, undulating lines. The result is soft waves of crystal light reminiscent of being un-derwater. The innovative Manta is made of crystal, with a dim-mable integrated led lamp focused on maximizing the crystal's reflection. Manta's organic form is available in two sizes and can be installed in numerous, custo-mizable arrangements. Design Dodo Arslan & Nicolas Terzani.

Manta, shimmering waves.

design Dodo Arslan & Nicolas Terzani
terzani.com

TERZANI




Name
Manta
3 light pendant

Materials
clear crystal

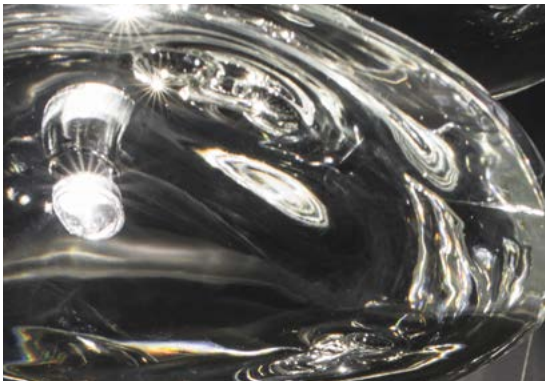
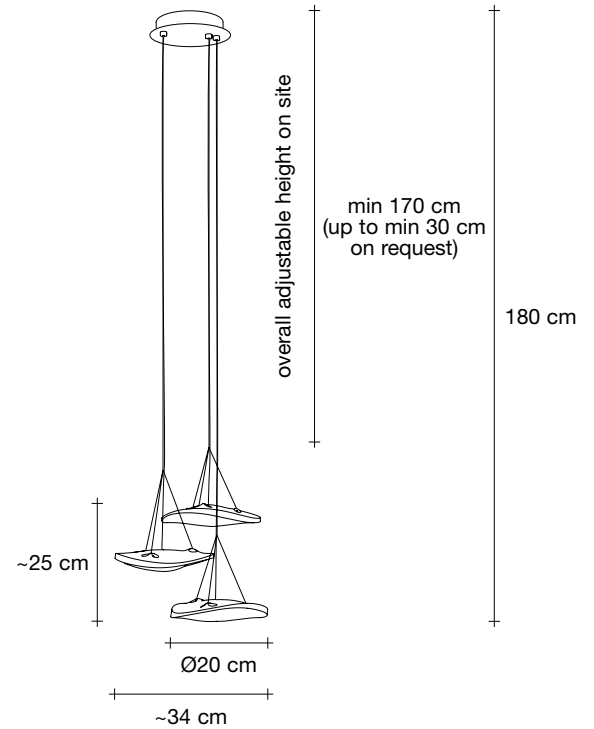
CE ENEC CB

Finishes | Code


 clear crystal
OK031E8A9

Not suitable for sloped ceilings

Body



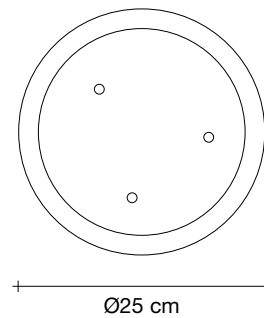
Light source
230-240V ~ 50/60Hz

 Built in Replaceable LED Module
3 x 1,5W 405 lm 3000K
or optional 345 lm 2700K

dimnable options

 1-10V
PUSH
DALI

Canopy | white



Manta was created featuring sinuous, undulating lines. The result is soft waves of crystal light reminiscent of being un-derwater. The innovative Manta is made of crystal, with a dim-mable integrated led lamp focused on maximizing the crystal's reflection. Manta's organic form is available in two sizes and can be installed in numerous, custo-mizable arrangements. Design Dodo Arslan & Nicolas Terzani.

