

# Core, eruption of light.

design Christian Lava  
terzani.com

# TERZANI



## Name

Core  
pendant light

## Materials

brass | clear glass



## Finishes | Code



nickel plated | clear glass  
0P22S E7 A9

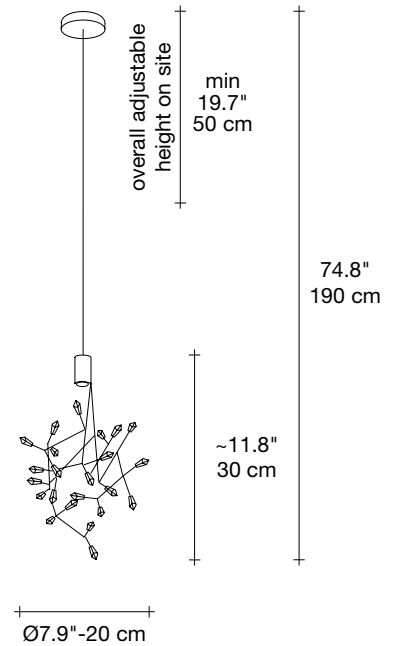


black nickel plated | clear glass  
0P22S E9 A9



gold plated | clear glass  
0P22S L6 A9

## Body



## Light source

120V ~ 50/60Hz

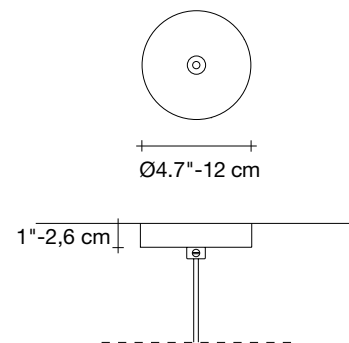


Built in Replaceable LED Module  
2,1W 194 lm 3000K  
or optional 172 lm 2700K



not dimmable

## Canopy



Core, designed by Christian Lava, is reminiscent of the natural energy at the heart of our world. Like bright lava seeping through the earth's crust, vibrant spheres of faceted glass break through the iron surface of this pendant. Forcing light to pass through this metal structure results in a powerful, vibrant exchange of forces; light and shadow erupt across the room, and the led light pours through, as the light itself emits an organic radiance. Available in nickel, black nickel, and gold plated finishes. Design Christian Lava.

# Core, eruption of light.

design Christian Lava  
terzani.com

**TERZANI**



**Name**  
Core  
dome pendant light

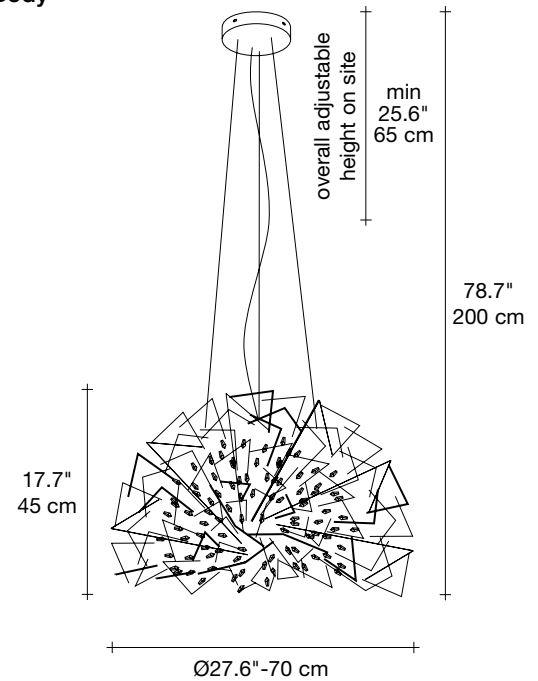
**Materials**  
brass | clear glass



**Finishes | Code**

-  nickel plated | clear glass  
OP21S E7 A9
-  black nickel plated | clear glass  
OP21S E9 A9
-  gold plated | clear glass  
OP21S L6 A9

**Body**



**Light source**

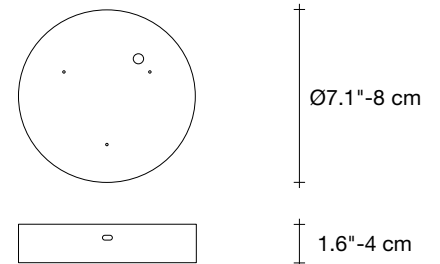
**120V ~ 50/60Hz**

 Built in Replaceable LED Module  
18W 1640 lm CRI 90 3000K  
or optional 1570 lm 2700K

**dimmmable options**

 1-10V  
PUSH

**Canopy**



Core, designed by Christian Lava, is reminiscent of the natural energy at the heart of our world. Like bright lava seeping through the earth's crust, vibrant spheres of faceted glass break through the iron surface of this pendant. Forcing light to pass through this metal structure results in a powerful, vibrant exchange of forces; light and shadow erupt across the room, and the led light pours through, as the light itself emits an organic radiance. Available in nickel, black nickel, and gold plated finishes. Design Christian Lava.

# Core, eruption of light.

design Christian Lava  
terzani.com

# TERZANI



**Name**  
Core  
sphere pendant light

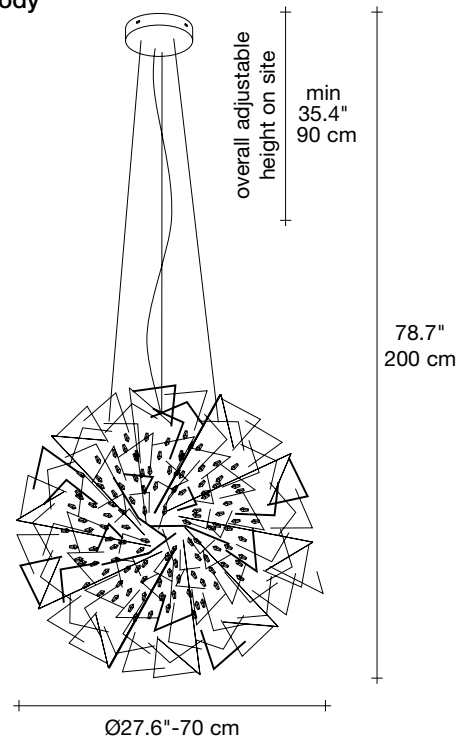
**Materials**  
brass | clear glass



### Finishes | Code

-  nickel plated | clear glass  
OP20S E7 A9
-  black nickel plated | clear glass  
OP20S E9 A9
-  gold plated | clear glass  
OP20S L6 A9

### Body



### Light source

120V ~ 50/60Hz



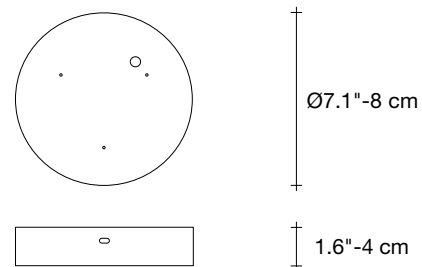
Built in Replaceable LED Module  
18W 1640 lm CRI 90 3000K  
or optional 1570 lm 2700K

#### dimming options



1-10V  
PUSH

### Canopy



Core, designed by Christian Lava, is reminiscent of the natural energy at the heart of our world. Like bright lava seeping through the earth's crust, vibrant spheres of faceted glass break through the iron surface of this pendant. Forcing light to pass through this metal structure results in a powerful, vibrant exchange of forces; light and shadow erupt across the room, and the led light pours through, as the light itself emits an organic radiance. Available in nickel, black nickel, and gold plated finishes. Design Christian Lava.



lbs 36.4  
kg 16,5



lbs 57.3  
kg 26



32.7" × 30.7" × 37.4"  
83 × 78 × 95 cm