

Angel Falls, cast down, *earth.*

design Nigel Coates
terzani.com

TERZANI




Name
Angel Falls
7 pendants

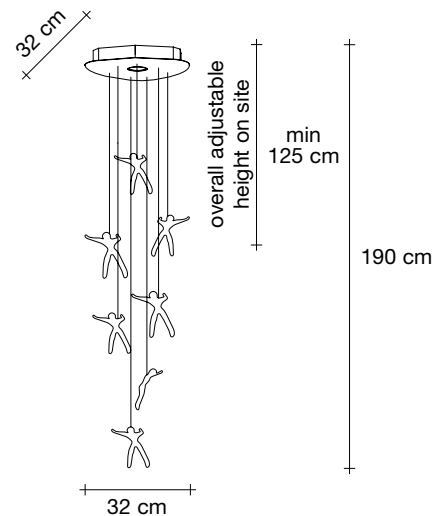
Materials
clear crystal



Finishes | Code

 clear
0Q07SH4A9


Body | 7 angels



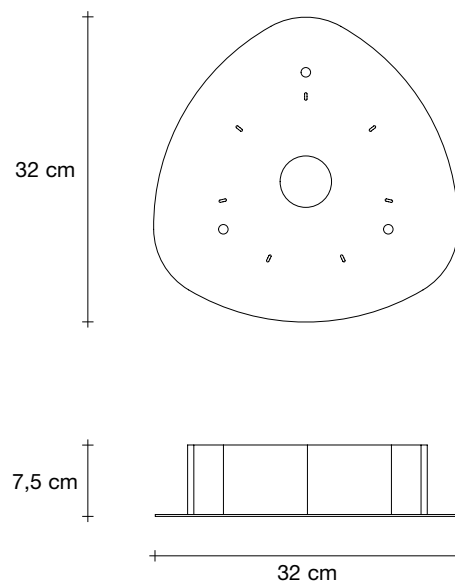
Light source
220-240V ~ 50/60Hz

 LED
5W GU10 dimmable

dimnable options

 all systems

Canopy | brushed nickel plated



For his work with Terzani, Nigel Coates, well known for his unorthodox approach to design, has created an engaging, unique light. Customizable groups of handmade crystal "angels" are illuminated by halogen or led lamps. What caused these angels to fall from the heavens? It's up to the viewers to decide. Either way, Angel Falls is sure to garner attention and generate conversation in any setting. Design Nigel Coates.

Angel Falls, cast down, *earth.*

design Nigel Coates
terzani.com

TERZANI




Name
Angel Falls
12 pendants

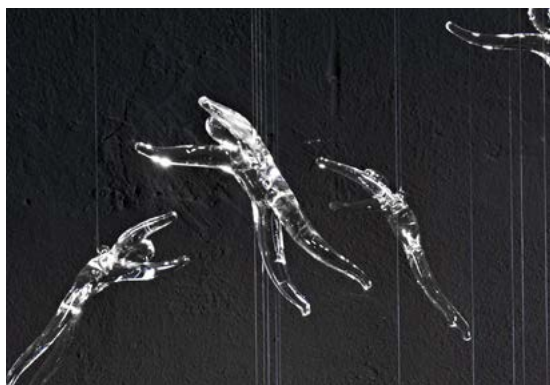
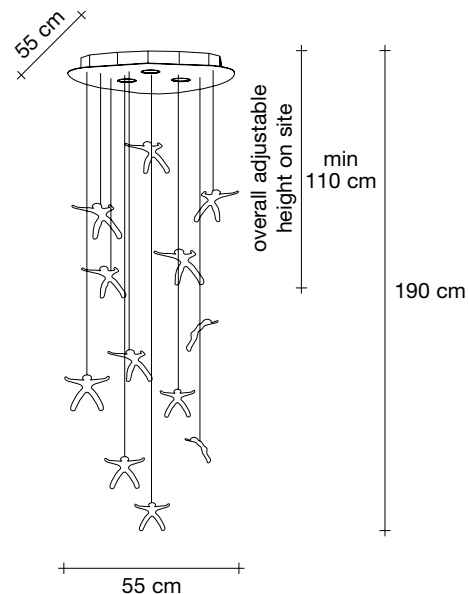
Materials
clear crystal



Finishes | Code

 clear
0Q12SH4A9


Body | 12 angels



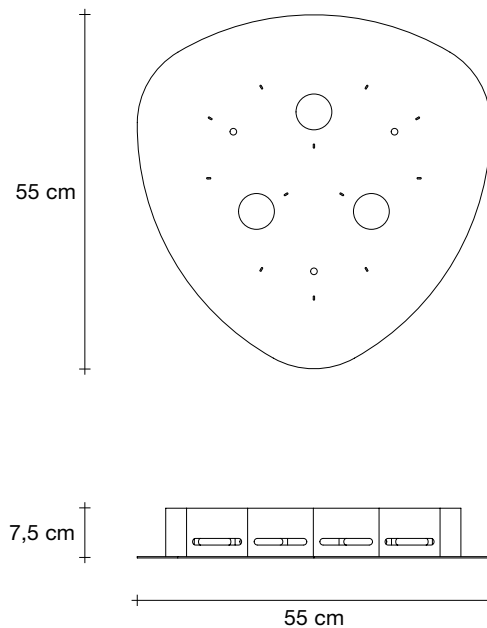
Light source
220-240V ~ 50/60Hz

 LED
3 x 5W GU10 dimmable

dimmable options

 all systems

Canopy | brushed nickel plated



For his work with Terzani, Nigel Coates, well known for his unorthodox approach to design, has created an engaging, unique light. Customizable groups of handmade crystal "angels" are illuminated by halogen or led lamps. What caused these angels to fall from the heavens? It's up to the viewers to decide. Either way, Angel Falls is sure to garner attention and generate conversation in any setting. Design Nigel Coates.

Angel Falls, cast down, *earth.*

design Nigel Coates
terzani.com

TERZANI

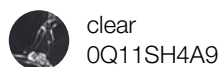


Name
Angel Falls
18 pendants

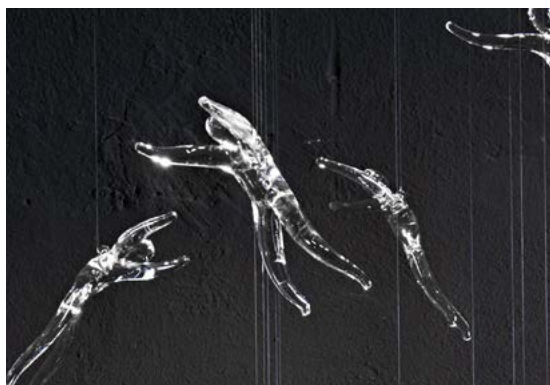
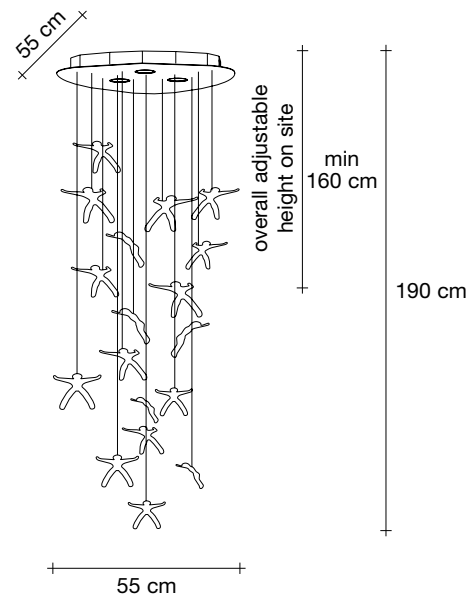
Materials
clear crystal



Finishes | Code



Body | 18 angels




Light source

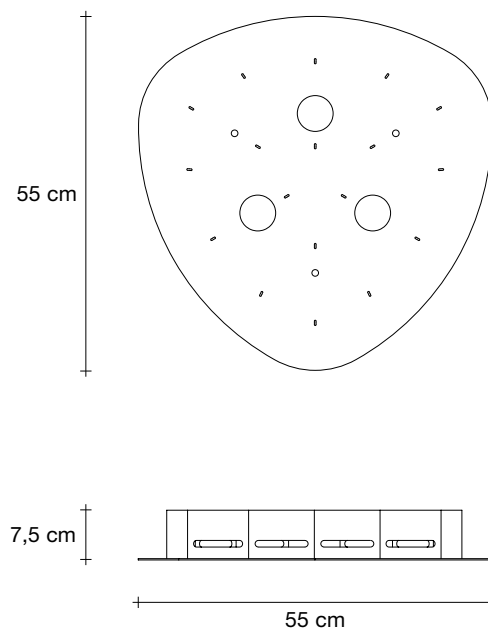
220-240V ~ 50/60Hz



dimmable options

 all systems

Canopy | brushed nickel plated



For his work with Terzani, Nigel Coates, well known for his unorthodox approach to design, has created an engaging, unique light. Customizable groups of handmade crystal "angels" are illuminated by halogen or led lamps. What caused these angels to fall from the heavens? It's up to the viewers to decide. Either way, Angel Falls is sure to garner attention and generate conversation in any setting. Design Nigel Coates.

Angel Falls, cast down, *earth.*

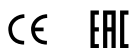
design Nigel Coates
terzani.com

TERZANI

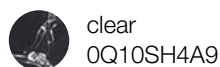


Name
Angel Falls
24 pendants

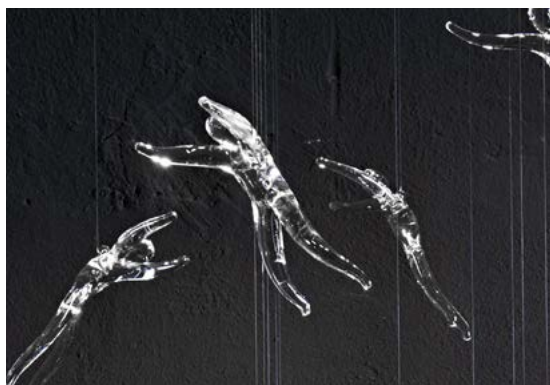
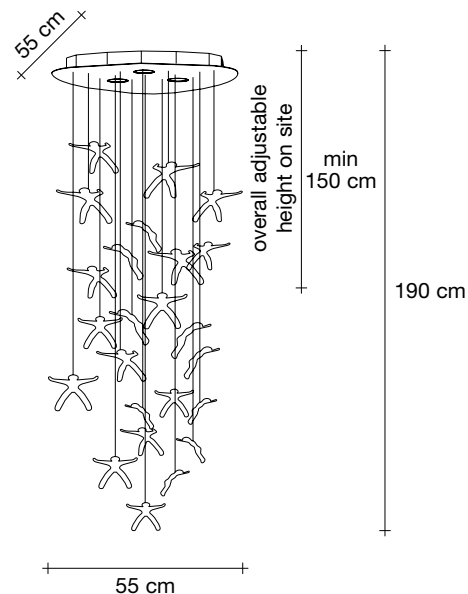
Materials
clear crystal



Finishes | Code



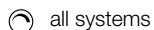
Body | 24 angels



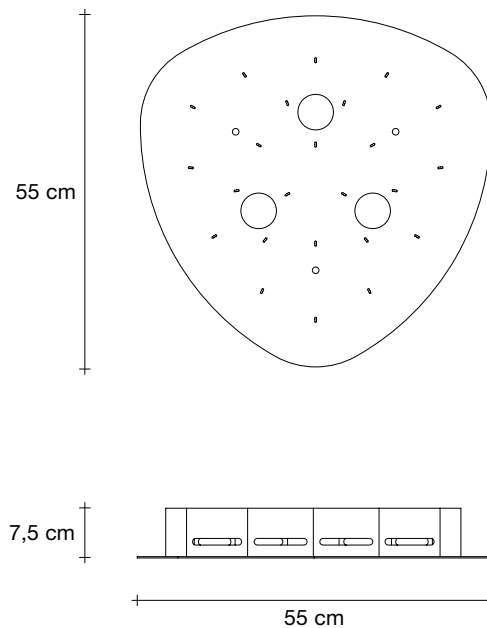
Light source
220-240V ~ 50/60Hz



dimmable options



Canopy | brushed nickel plated



For his work with Terzani, Nigel Coates, well known for his unorthodox approach to design, has created an engaging, unique light. Customizable groups of handmade crystal "angels" are illuminated by halogen or led lamps. What caused these angels to fall from the heavens? It's up to the viewers to decide. Either way, Angel Falls is sure to garner attention and generate conversation in any setting. Design Nigel Coates.

Angel Falls, cast down, *earth.*

design Nigel Coates
terzani.com

TERZANI



Name
Angel Falls
36 pendants

Materials
clear crystal

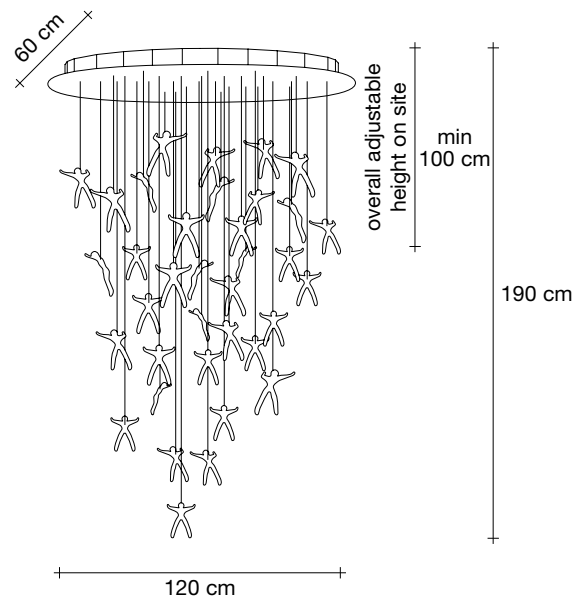


Finishes | Code



clear
0Q13SE8A9

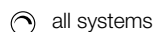
Body | 36 angels



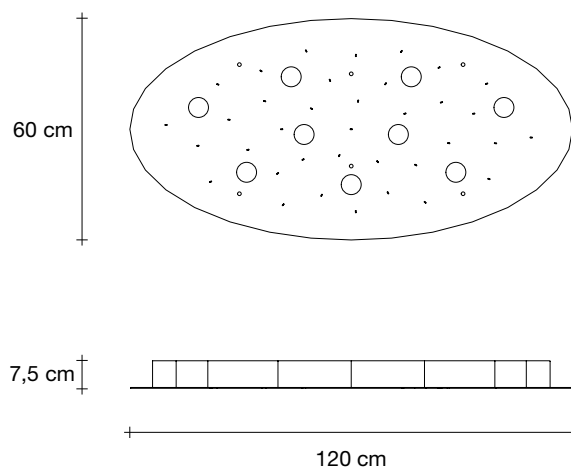
Light source
220-240V ~ 50/60Hz



dimmable options



Canopy | white



For his work with Terzani, Nigel Coates, well known for his unorthodox approach to design, has created an engaging, unique light. Customizable groups of handmade crystal "angels" are illuminated by halogen or led lamps. What caused these angels to fall from the heavens? It's up to the viewers to decide. Either way, Angel Falls is sure to garner attention and generate conversation in any setting. Design Nigel Coates.