

Frame, nature's, *imprint.*

design Terzani Lab
terzani.com

TERZANI



Name
Frame
small cylinder pendant light

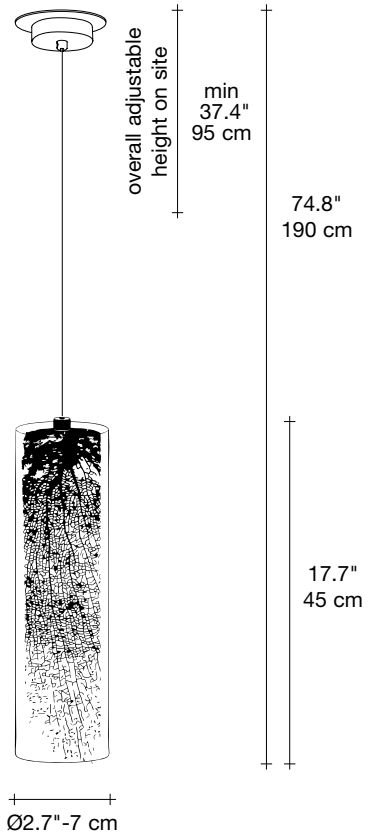
Materials
clear



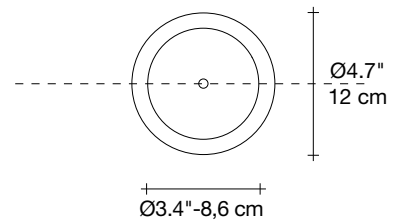
Finishes | Code

-  white | clear
0Q01S E8 A9
-  silver plated | clear
0Q01S G7 A9
-  gold plated | clear
0Q01S L6 A9

Body




Canopy




Light source

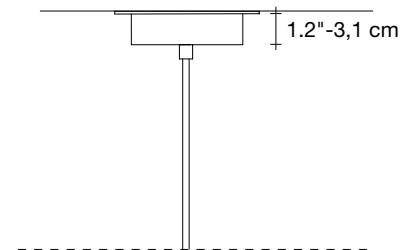
120V ~ 50/60Hz

 LED
4W E12 dimmable

dimmable options

 all systems

Capturing a moment in time, Frame features a metal coral leaf enclosed inside borosilicate glass, preserving a delicate imprint of nature. Hidden inside is a single bulb that glows from within. This creates a stirring light that projects a dynamic shadow due to the permeable coral. Frame is available in white, gold plated, or silver plated. Design Terzani Lab.



Frame, nature's, *imprint.*

design Terzani Lab
terzani.com

TERZANI



Name
Frame
large cylinder pendant light

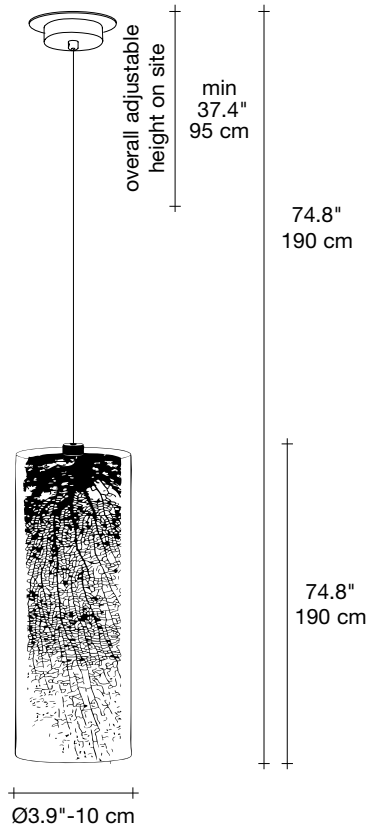
Materials
clear



Finishes | Code

-  white | clear
0Q02S E8 A9
-  silver plated | clear
0Q02S G7 A9
-  gold plated | clear
0Q02S L6 A9

Body




Light source

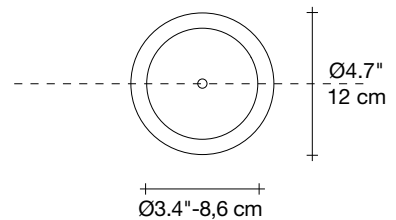
120V ~ 50/60Hz

 LED
4W E12 dimmable

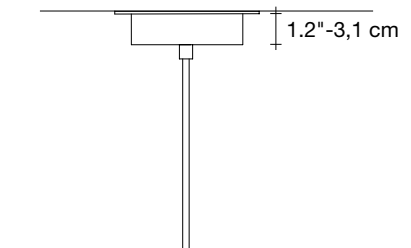
dimmable options

 all systems

Canopy



Capturing a moment in time, Frame features a metal coral leaf enclosed inside borosilicate glass, preserving a delicate imprint of nature. Hidden inside is a single bulb that glows from within. This creates a stirring light that projects a dynamic shadow due to the permeable coral. Frame is available in white, gold plated, or silver plated. Design Terzani Lab.



Frame, nature's, *imprint.*

design Terzani Lab
terzani.com

TERZANI



Name
Frame
cone pendant light

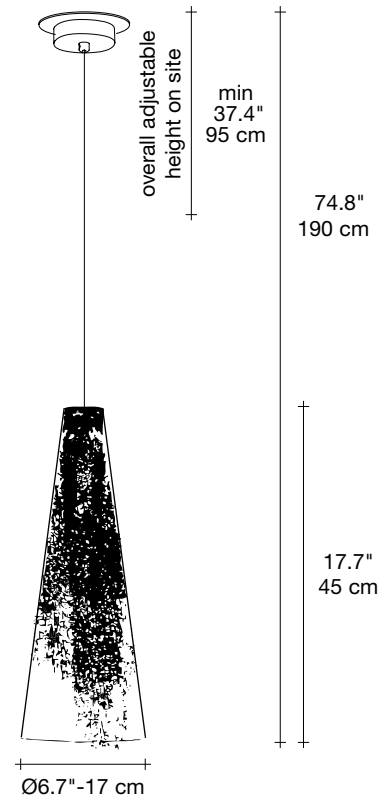
Materials
clear



Finishes | Code

-  white | clear
0Q03S E8 A9
-  silver plated | clear
0Q03S G7 A9
-  gold plated | clear
0Q03S L6 A9

Body




Light source

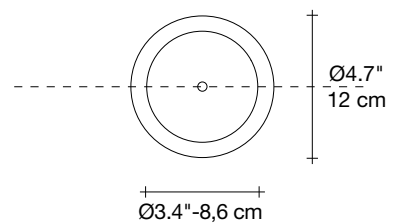
120V ~ 50/60Hz

 LED
4W E12 dimmable

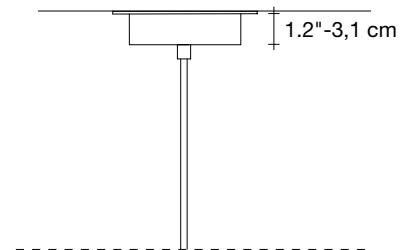
dimmable options

 all systems

Canopy



Capturing a moment in time, Frame features a metal coral leaf enclosed inside borosilicate glass, preserving a delicate imprint of nature. Hidden inside is a single bulb that glows from within. This creates a stirring light that projects a dynamic shadow due to the permeable coral. Frame is available in white, gold plated, or silver plated. Design Terzani Lab.



Frame, nature's, *imprint.*

design Terzani Lab
terzani.com

TERZANI



Name
Frame
wall sconce

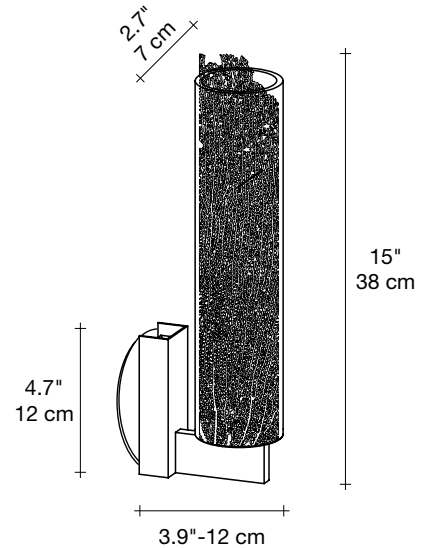
Materials
clear



Finishes | Code

-  white | clear
0Q04AS E8 A9
-  silver plated | clear
0Q04A G7 A9
-  gold plated | clear
0Q04A L6 A9

Body

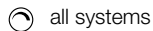


Light source

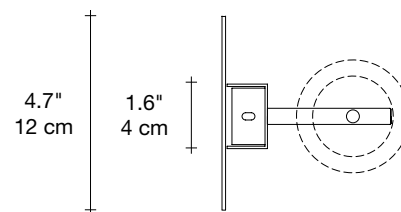
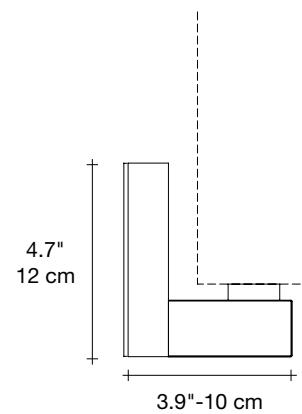
120V ~ 50/60Hz



dimmable options



Canopy



Capturing a moment in time, Frame features a metal coral leaf enclosed inside borosilicate glass, preserving a delicate imprint of nature. Hidden inside is a single bulb that glows from within. This creates a stirring light that projects a dynamic shadow due to the permeable coral. Frame is available in white, gold plated, or silver plated. Design Terzani Lab.