

Abacus, multiplying *luminescence*.

design Draw
terzani.com

TERZANI




Name
Abacus
small pendant light

Materials
brass | white glass

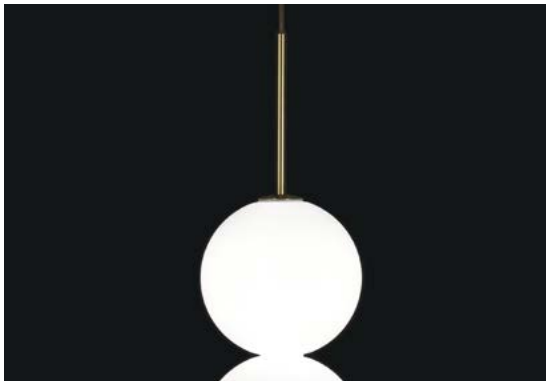
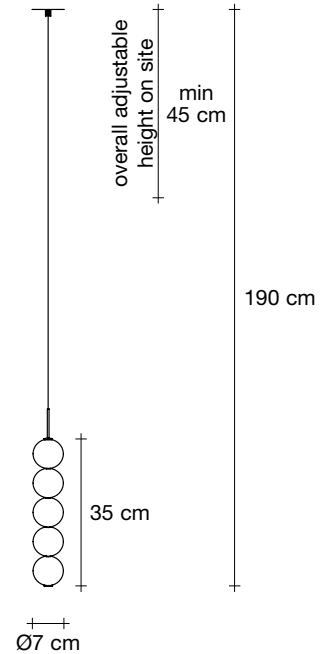
CE ENEC CB

Finishes | Code

 white disc | brass
0V01SE8B15KK

Body | 5 spheres


DRIVER NOT INCLUDED



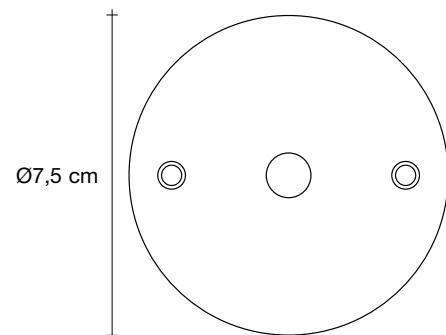
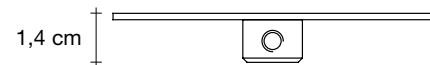
Light source
12V ~ 50/60Hz

 Built in replaceable led module
3,6W 540 lm 3000K

dimnable drivers available

 0/1-10V
PWM
100kΩ
PUSH
DALI
0-10V

Disc | white

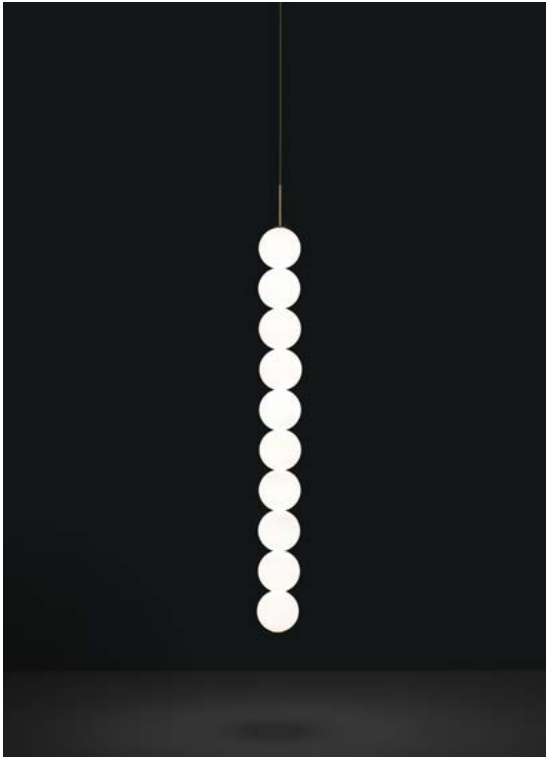


Used for centuries as a tool to both teach and communicate mathematics, the abacus was found in one form or another across the ancient world. At Terzani, we saw the beauty in the abacus' mathematical purity and clean, functional design. In the hands of Terzani's craftsmen, we've turned this inspiration into a new collection of modular pendant lamps whose flexibility allows for complex and beautiful configurations. Each module, or strand, of Abacus is made of a custom set of round, hand-blown opal glass that emits a soft and uniform light. And, as the original abacus was used to calculate everything from simple addition to complex formulas, we've retained the same scalability. Due to its customization, our Abacus light is just as suitable in a home as in a commercial space, and its almost infinite configurations ensure you always find the right solution.

Abacus, multiplying *luminescence*.

design Draw
terzani.com

TERZANI




Name
Abacus
medium pendant light

Materials
brass | white glass

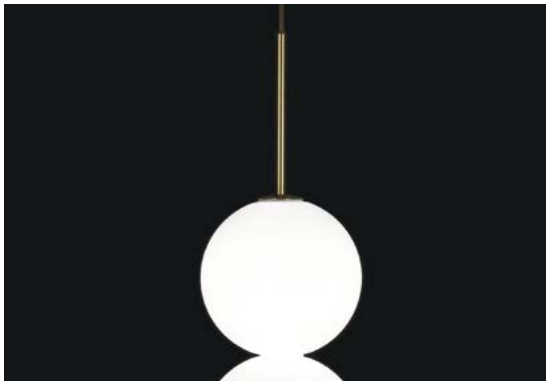
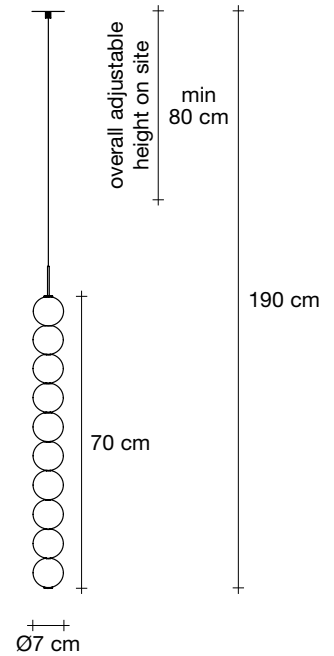


Finishes | Code

 white disc | brass
0V01SE8B1AKK

Body | 10 spheres

DRIVER NOT INCLUDED



Light source

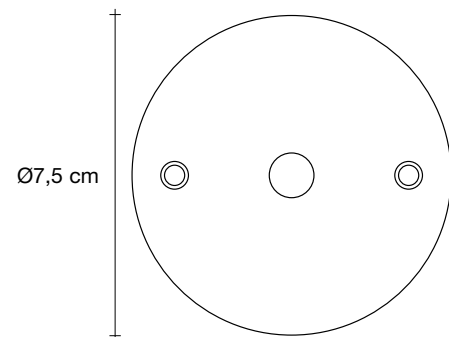
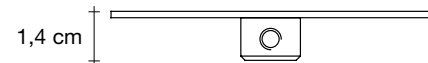
12V ~ 50/60Hz

 Built in replaceable led module
7,2W 1080 lm 3000K

dimnable drivers available

- 0/1-10V
- PWM
- 100kΩ
- PUSH
- DALI
- 0-10V

Disc | white

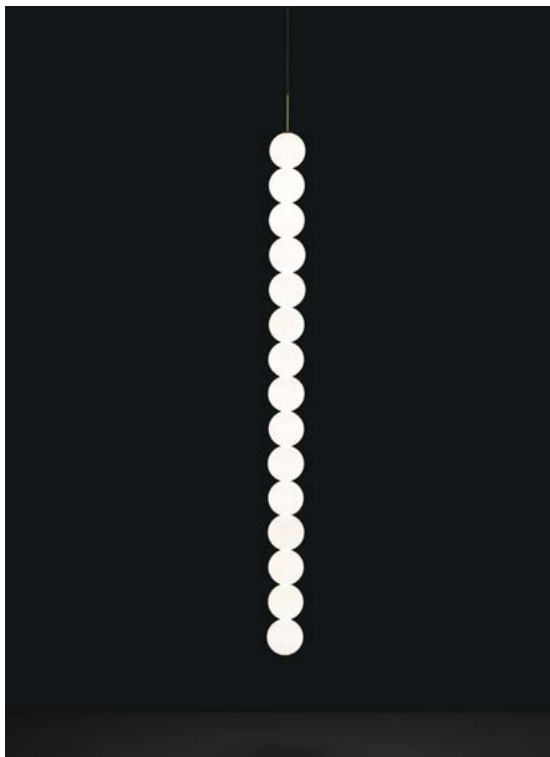


Used for centuries as a tool to both teach and communicate mathematics, the abacus was found in one form or another across the ancient world. At Terzani, we saw the beauty in the abacus' mathematical purity and clean, functional design. In the hands of Terzani's craftsmen, we've turned this inspiration into a new collection of modular pendant lamps whose flexibility allows for complex and beautiful configurations. Each module, or strand, of Abacus is made of a custom set of round, hand-blown opal glass that emits a soft and uniform light. And, as the original abacus was used to calculate everything from simple addition to complex formulas, we've retained the same scalability. Due to its customization, our Abacus light is just as suitable in a home as in a commercial space, and its almost infinite configurations ensure you always find the right solution.

Abacus, multiplying *luminescence*.

design Draw
terzani.com

TERZANI




Name
Abacus
large pendant light

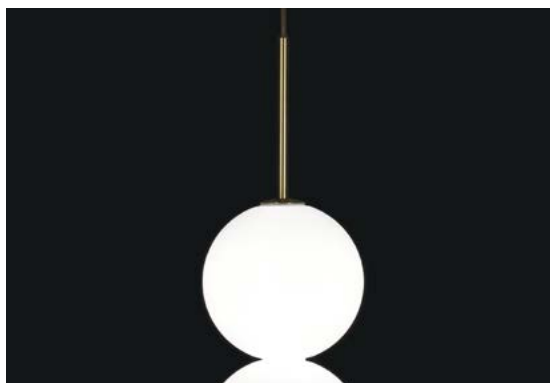
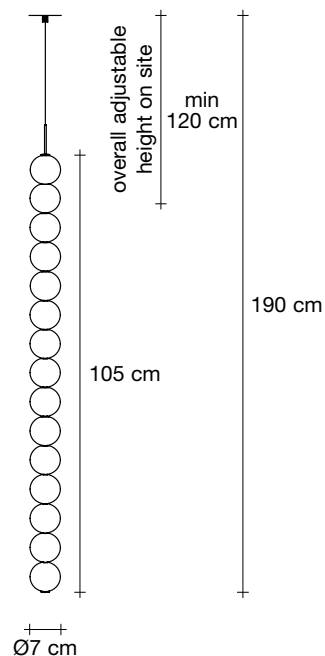
Materials
brass | white glass

CE ENEC CB

Finishes | Code

 white disc | brass
0V01SE8B1FKK

Body | 15 spheres DRIVER NOT INCLUDED




Light source

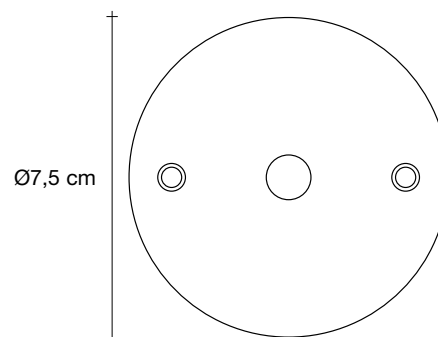
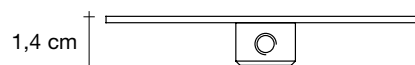
12V ~ 50/60Hz

 Built in replaceable led module
10,8W 1620 lm 3000K

dimnable drivers available

 0/1-10V
PWM
100kΩ
PUSH
DALI
0-10V

Disc | white



Used for centuries as a tool to both teach and communicate mathematics, the abacus was found in one form or another across the ancient world. At Terzani, we saw the beauty in the abacus' mathematical purity and clean, functional design. In the hands of Terzani's craftsmen, we've turned this inspiration into a new collection of modular pendant lamps whose flexibility allows for complex and beautiful configurations. Each module, or strand, of Abacus is made of a custom set of round, hand-blown opal glass that emits a soft and uniform light. And, as the original abacus was used to calculate everything from simple addition to complex formulas, we've retained the same scalability. Due to its customization, our Abacus light is just as suitable in a home as in a commercial space, and its almost infinite configurations ensure you always find the right solution.

Abacus, multiplying *luminescence*.

design Draw
terzani.com

TERZANI


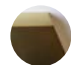


Name
Abacus
small pendant light

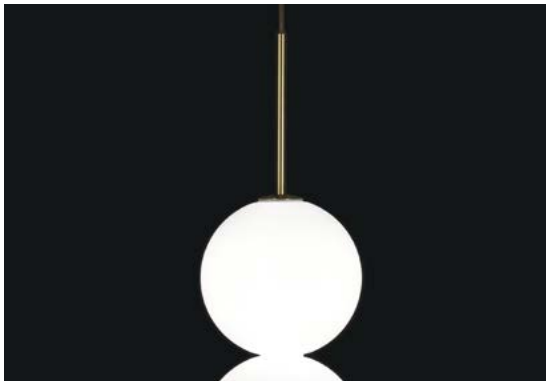
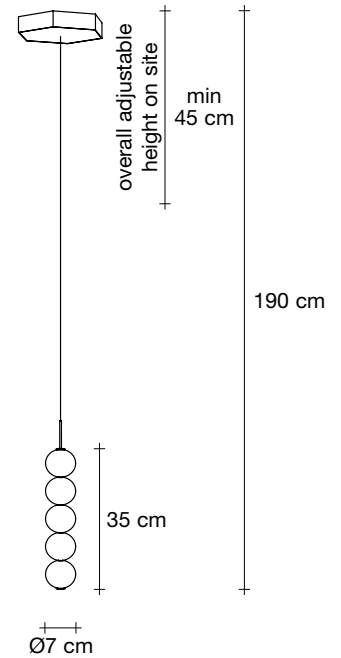
Materials
brass | white glass

CE ENEC CB

Finishes | Code

-  white canopy | brass
OV01SE8BP15
-  painted brass canopy | brass
OV01SM3BP15


Body | 5 spheres



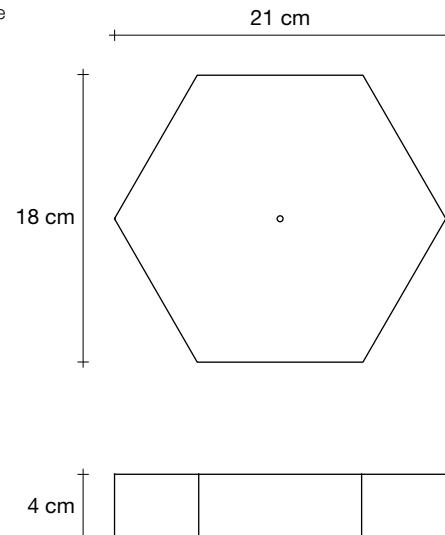
Light source
220-240V ~ 50/60Hz

 Built in replaceable led module
3,6W 540 lm 3000K

dimnable options

-  0/1-10V
PWM
100kΩ
PUSH
DALI
0-10V

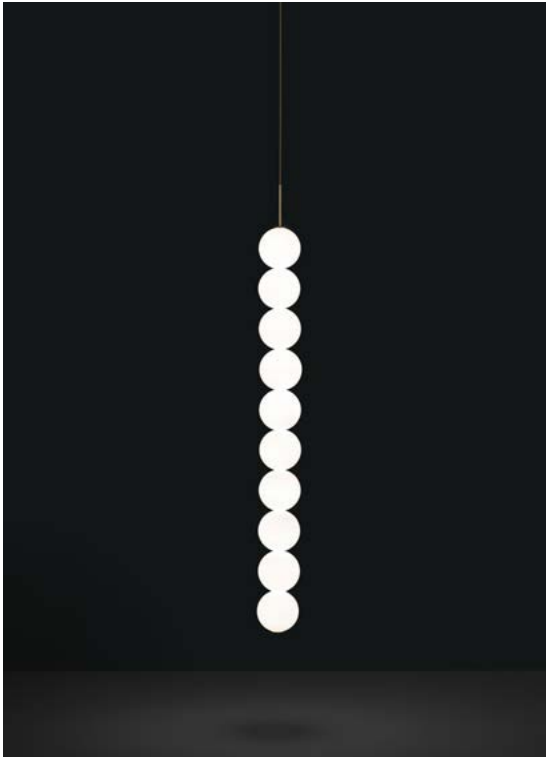
Canopy



Abacus, multiplying *luminescence*.

design Draw
terzani.com

TERZANI


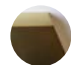


Name
Abacus
medium pendant light

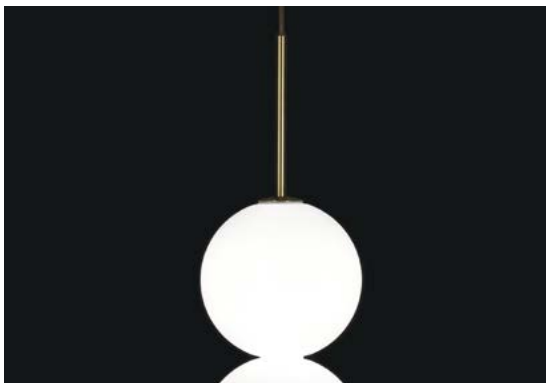
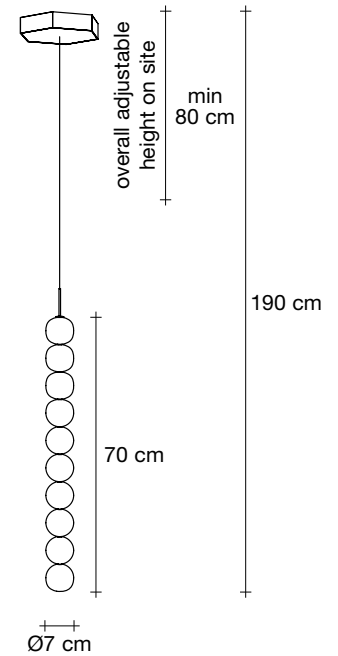
Materials
brass | white glass

CE ENEC CB

Finishes | Code

-  white canopy | brass
OV01SE8BP1A
-  painted brass canopy | brass
OV01SM3BP1A


Body | 10 spheres



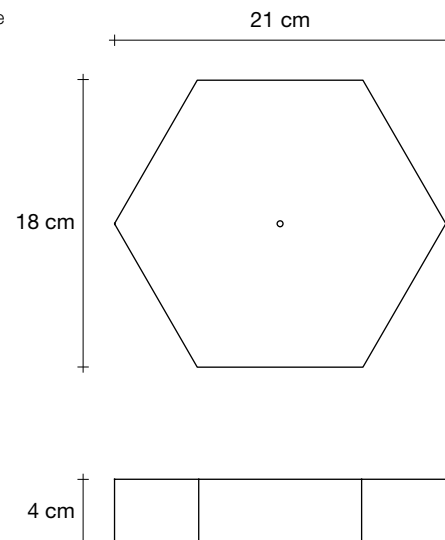
Light source
220-240V ~ 50/60Hz

 Built in replaceable led module
7,2W 1080 lm 3000K

dimnable options

-  0/1-10V
PWM
100kΩ
PUSH
DALI
0-10V

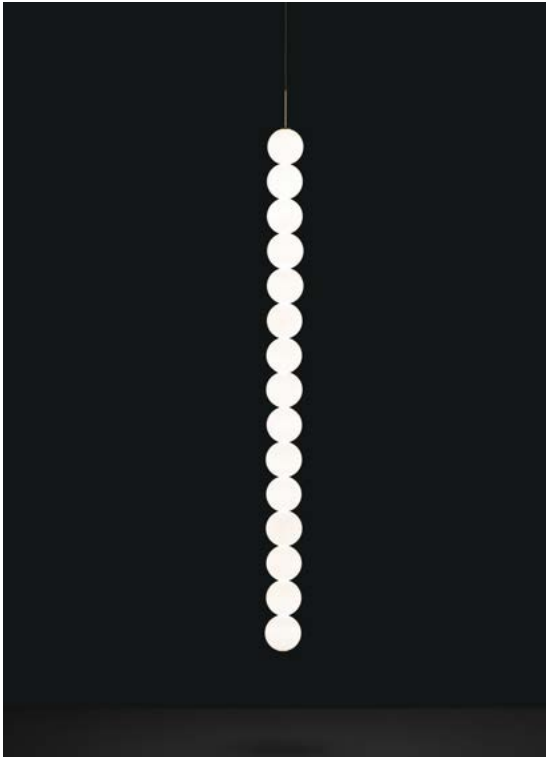
Canopy



Abacus, multiplying *luminescence*.

design Draw
terzani.com

TERZANI


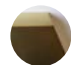


Name
Abacus
large pendant light

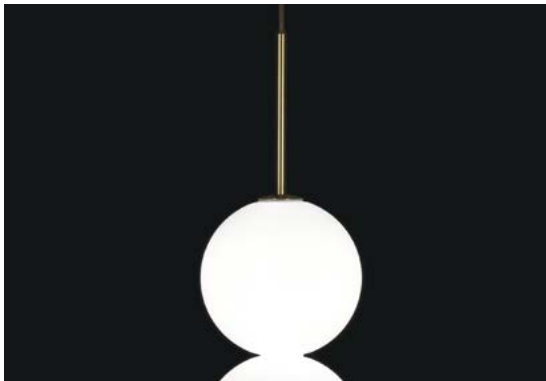
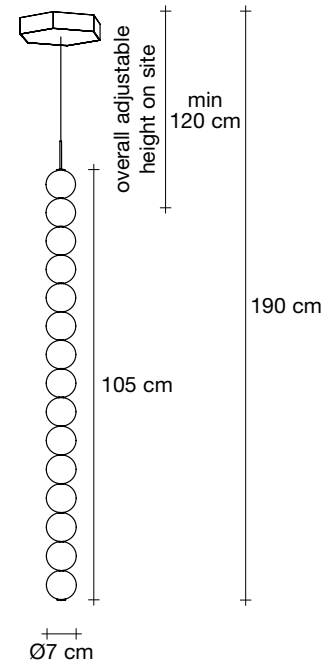
Materials
brass | white glass

CE ENEC CB

Finishes | Code

-  white canopy | brass
OV01SE8BP1F
-  painted brass canopy | brass
OV01SM3BP1F


Body | 15 spheres



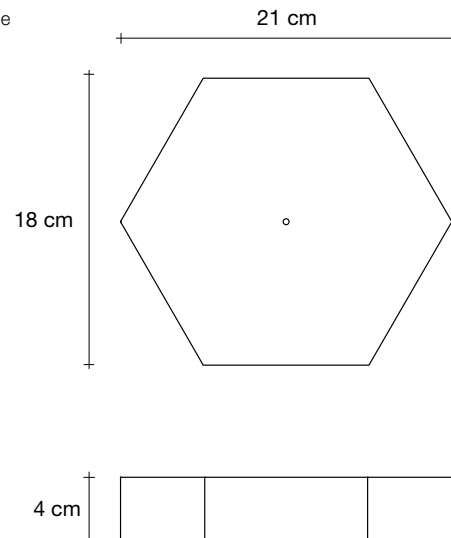
Light source
220-240V ~ 50/60Hz

 Built in replaceable led module
10,8W 1620 lm 3000K

dimnable options

-  0/1-10V
PWM
100kΩ
PUSH
DALI
0-10V

Canopy

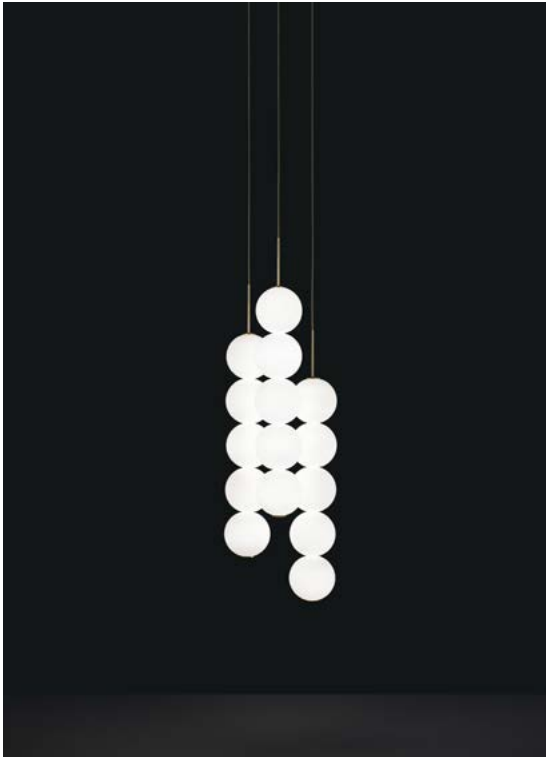


Used for centuries as a tool to both teach and communicate mathematics, the abacus was found in one form or another across the ancient world. At Terzani, we saw the beauty in the abacus' mathematical purity and clean, functional design. In the hands of Terzani's craftsmen, we've turned this inspiration into a new collection of modular pendant lamps whose flexibility allows for complex and beautiful configurations. Each module, or strand, of Abacus is made of a custom set of round, hand-blown opal glass that emits a soft and uniform light. And, as the original abacus was used to calculate everything from simple addition to complex formulas, we've retained the same scalability. Due to its customization, our Abacus light is just as suitable in a home as in a commercial space, and its almost infinite configurations ensure you always find the right solution.

Abacus, multiplying *luminescence*.

design Draw
terzani.com

TERZANI





Name
Abacus
3 small round multi light pendant

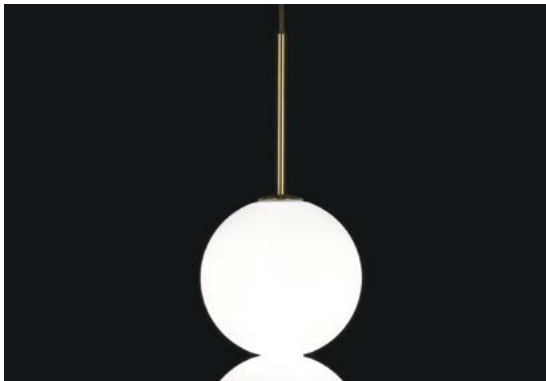
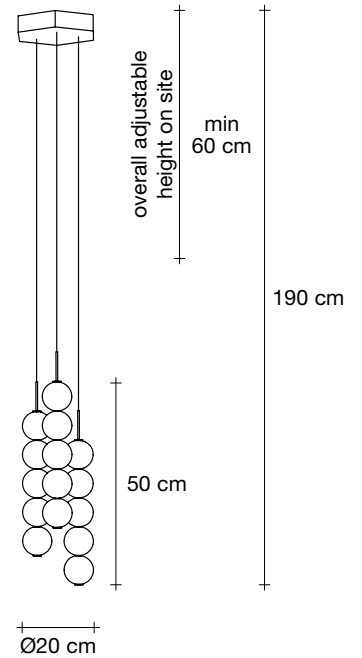
Materials
brass | white glass

CE ENEC CB

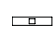
Finishes | Code

-  white canopy | brass
OV03SE8BP1F
-  painted brass canopy | brass
OV03SM3BP1F


Body | 3x5 spheres



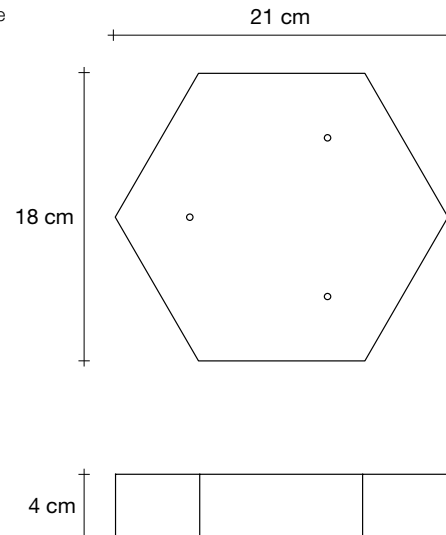
Light source
220-240V ~ 50/60Hz

 Built in replaceable led module
3 x 3,6W 1620 lm 3000K

dimnable options

-  0/1-10V
PWM
100kΩ
PUSH
DALI
0-10V

Canopy

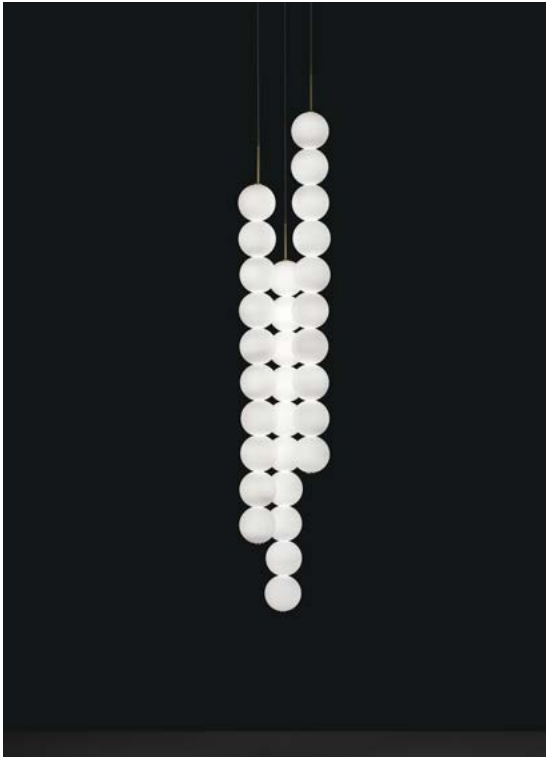


Used for centuries as a tool to both teach and communicate mathematics, the abacus was found in one form or another across the ancient world. At Terzani, we saw the beauty in the abacus' mathematical purity and clean, functional design. In the hands of Terzani's craftsmen, we've turned this inspiration into a new collection of modular pendant lamps whose flexibility allows for complex and beautiful configurations. Each module, or strand, of Abacus is made of a custom set of round, hand-blown opal glass that emits a soft and uniform light. And, as the original abacus was used to calculate everything from simple addition to complex formulas, we've retained the same scalability. Due to its customization, our Abacus light is just as suitable in a home as in a commercial space, and its almost infinite configurations ensure you always find the right solution.

Abacus, multiplying *luminescence*.

design Draw
terzani.com

TERZANI


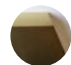


Name
Abacus
3 medium round multi light pendant

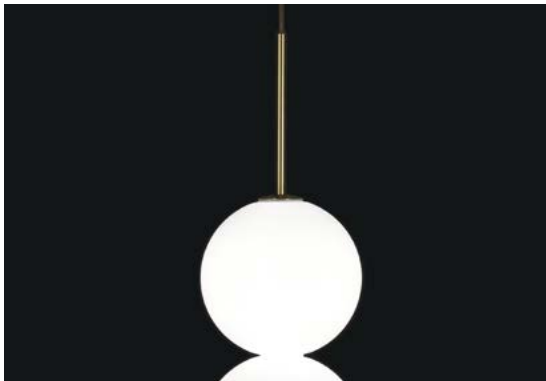
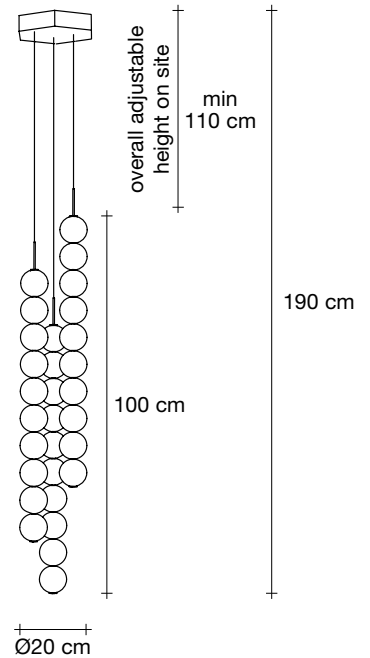
Materials
brass | white glass

CE ENEC CB

Finishes | Code

-  white canopy | brass
OV03SE8BP1V
-  painted brass canopy | brass
OV03SM3BP1V


Body | 3×10 spheres



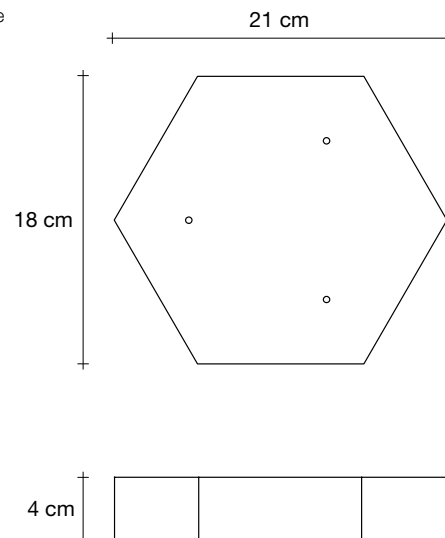
Light source
220-240V ~ 50/60Hz

 Built in replaceable led module
3 x 7,2W 3240 lm 3000K

dimnable options

-  0/1-10V
- PWM
- 100kΩ
- PUSH
- DALI
- 0-10V

Canopy



Used for centuries as a tool to both teach and communicate mathematics, the abacus was found in one form or another across the ancient world. At Terzani, we saw the beauty in the abacus' mathematical purity and clean, functional design. In the hands of Terzani's craftsmen, we've turned this inspiration into a new collection of modular pendant lamps whose flexibility allows for complex and beautiful configurations. Each module, or strand, of Abacus is made of a custom set of round, hand-blown opal glass that emits a soft and uniform light. And, as the original abacus was used to calculate everything from simple addition to complex formulas, we've retained the same scalability. Due to its customization, our Abacus light is just as suitable in a home as in a commercial space, and its almost infinite configurations ensure you always find the right solution.

Abacus, multiplying *luminescence*.

design Draw
terzani.com

TERZANI


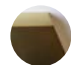


Name
Abacus
3 large round multi light pendant

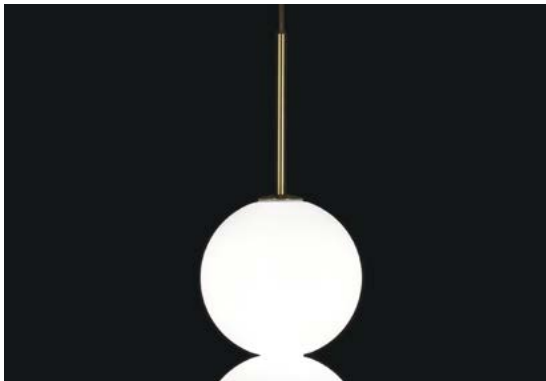
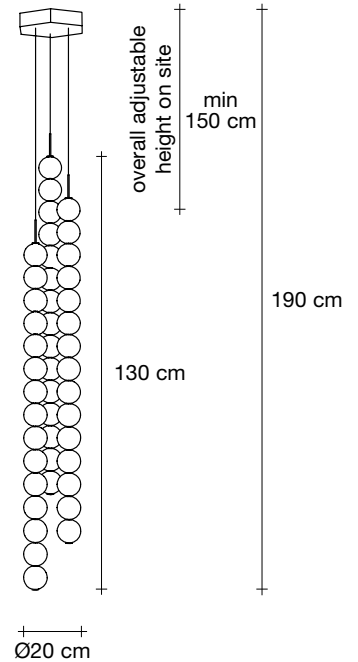
Materials
brass | white glass

CE ENEC CB

Finishes | Code

-  white canopy | brass
OV03SE8BP2B
-  painted brass canopy | brass
OV03SM3BP2B


Body | 3x15 spheres



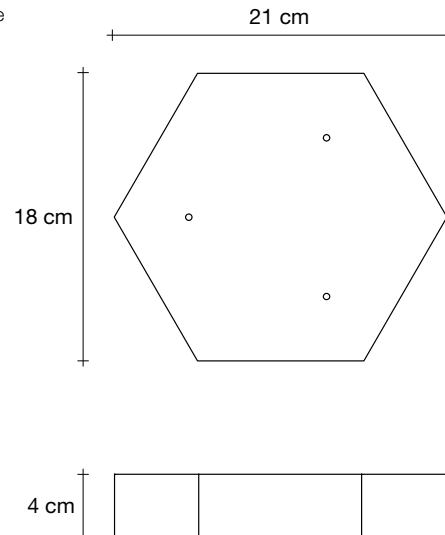
Light source
220-240V ~ 50/60Hz

 Built in replaceable led module
3 x 10,8W 4860 lm 3000K

dimnable options

-  0/1-10V
PWM
100kΩ
PUSH
DALI
0-10V

Canopy



Used for centuries as a tool to both teach and communicate mathematics, the abacus was found in one form or another across the ancient world. At Terzani, we saw the beauty in the abacus' mathematical purity and clean, functional design. In the hands of Terzani's craftsmen, we've turned this inspiration into a new collection of modular pendant lamps whose flexibility allows for complex and beautiful configurations. Each module, or strand, of Abacus is made of a custom set of round, hand-blown opal glass that emits a soft and uniform light. And, as the original abacus was used to calculate everything from simple addition to complex formulas, we've retained the same scalability. Due to its customization, our Abacus light is just as suitable in a home as in a commercial space, and its almost infinite configurations ensure you always find the right solution.

Abacus, multiplying *luminescence*.

design Draw
terzani.com

TERZANI




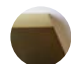
Name
Abacus
7 small round multi light pendant

Materials
brass | white glass

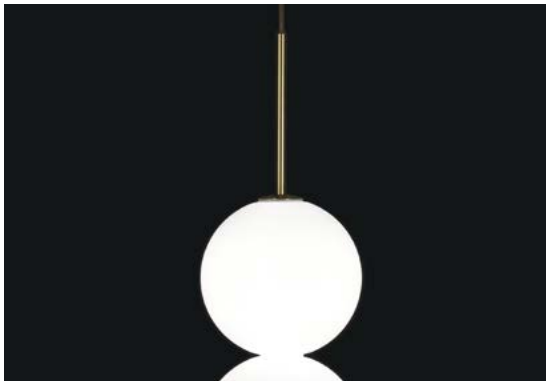
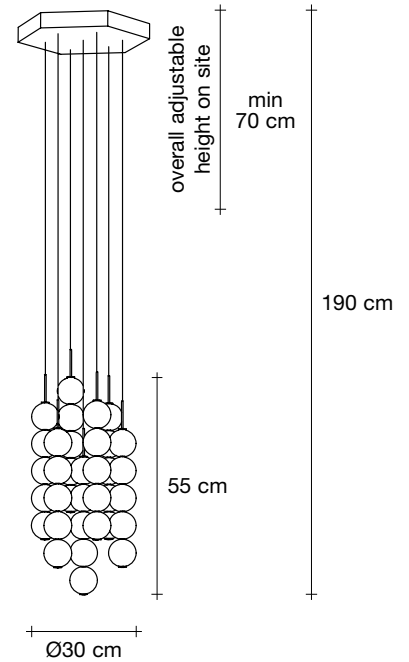
CE ENEC CB

Finishes | Code

 white canopy | brass
OV07SE8BP21

 painted brass canopy | brass
OV07SM3BP21


Body | 7x5 spheres



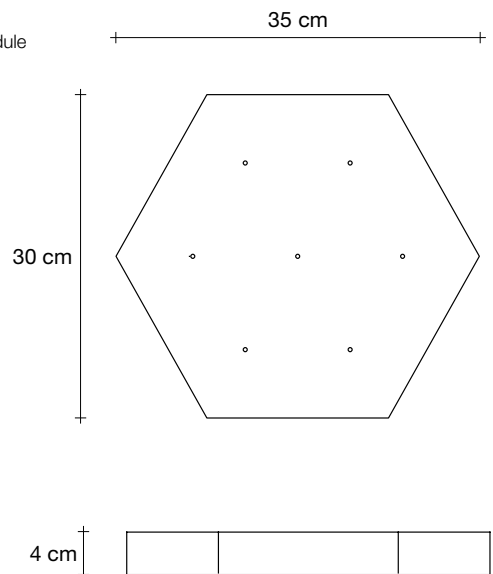
Light source
220-240V ~ 50/60Hz

 Built in replaceable led module
7 x 3,6W 3780 lm 3000K

dimnable options

 0/1-10V
PWM
100kΩ
PUSH
DALI

Canopy

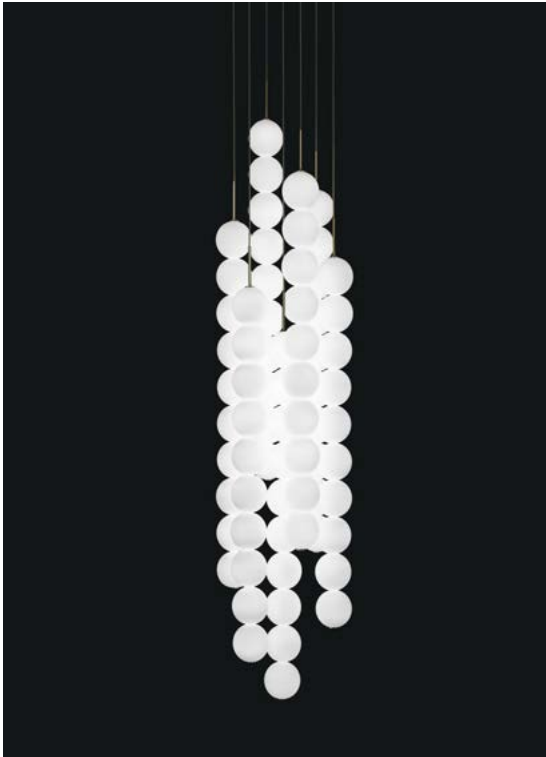


Used for centuries as a tool to both teach and communicate mathematics, the abacus was found in one form or another across the ancient world. At Terzani, we saw the beauty in the abacus' mathematical purity and clean, functional design. In the hands of Terzani's craftsmen, we've turned this inspiration into a new collection of modular pendant lamps whose flexibility allows for complex and beautiful configurations. Each module, or strand, of Abacus is made of a custom set of round, hand-blown opal glass that emits a soft and uniform light. And, as the original abacus was used to calculate everything from simple addition to complex formulas, we've retained the same scalability. Due to its customization, our Abacus light is just as suitable in a home as in a commercial space, and its almost infinite configurations ensure you always find the right solution.

Abacus, multiplying *luminescence*.

design Draw
terzani.com

TERZANI


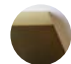


Name
Abacus
7 medium round multi light pendant

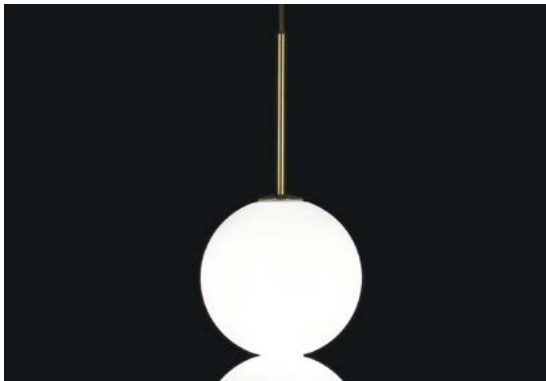
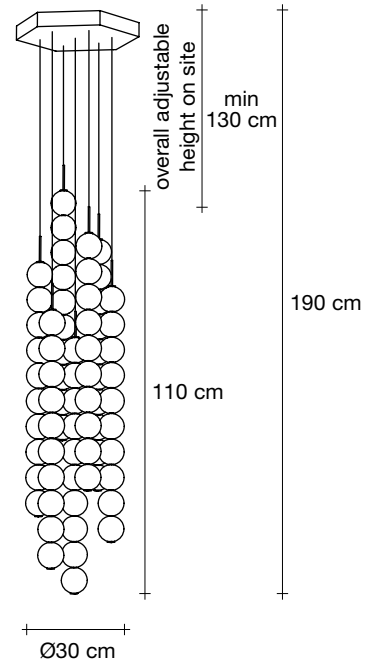
Materials
brass | white glass

CE ENEC CB

Finishes | Code

-  white canopy | brass
OV07SE8BP32
-  painted brass canopy | brass
OV07SM3BP32


Body | 7x10 spheres



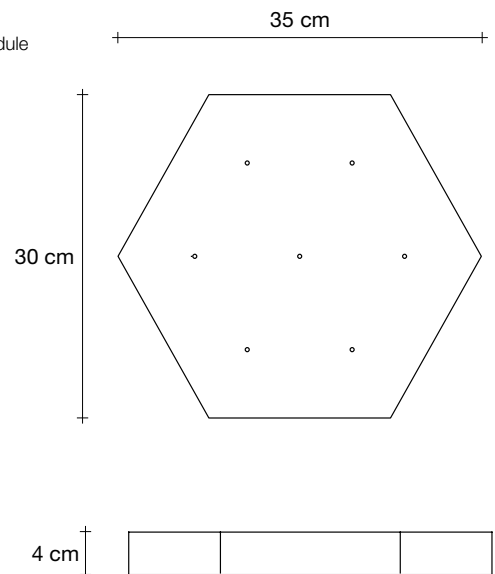
Light source
220-240V ~ 50/60Hz

 Built in replaceable led module
7 x 7,2W 7560 lm 3000K

dimmmable options

-  0/1-10V
PWM
100kΩ
PUSH
DALI
0-10V

Canopy



Abacus, multiplying *luminescence*.

design Draw
terzani.com

TERZANI



Name

Abacus
7 large round multi light pendant

Materials

brass | white glass

CE ENEC CB

Finishes | Code

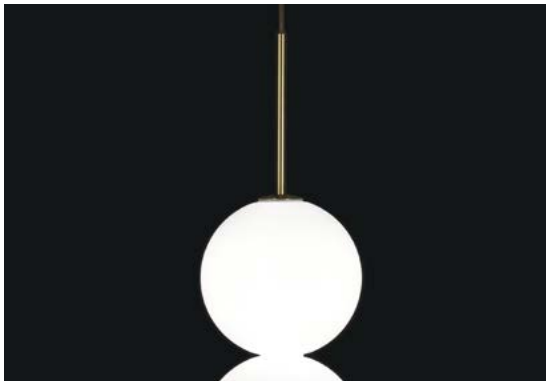
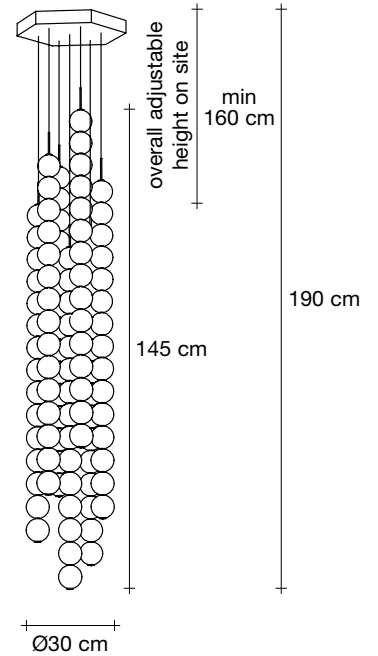


white canopy | brass
0V07SE8BP43



painted brass canopy | brass
0V07SM3BP43

Body | 7x15 spheres



Light source

220-240V ~ 50/60Hz



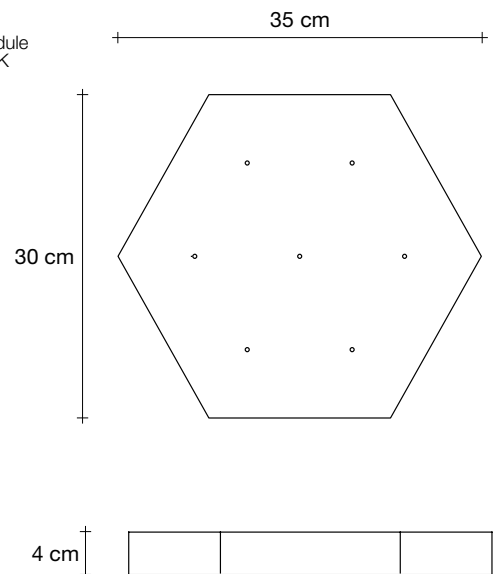
Built in replaceable led module
7 x 10,8W 11340 lm 3000K

dimnable options



0/1-10V
PWM
100kΩ
PUSH
DALI
0-10V

Canopy



Used for centuries as a tool to both teach and communicate mathematics, the abacus was found in one form or another across the ancient world. At Terzani, we saw the beauty in the abacus' mathematical purity and clean, functional design. In the hands of Terzani's craftsmen, we've turned this inspiration into a new collection of modular pendant lamps whose flexibility allows for complex and beautiful configurations. Each module, or strand, of Abacus is made of a custom set of round, hand-blown opal glass that emits a soft and uniform light. And, as the original abacus was used to calculate everything from simple addition to complex formulas, we've retained the same scalability. Due to its customization, our Abacus light is just as suitable in a home as in a commercial space, and its almost infinite configurations ensure you always find the right solution.

Abacus, multiplying *luminescence*.

design Draw
terzani.com

TERZANI


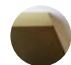


Name
Abacus
small linear multi light pendant

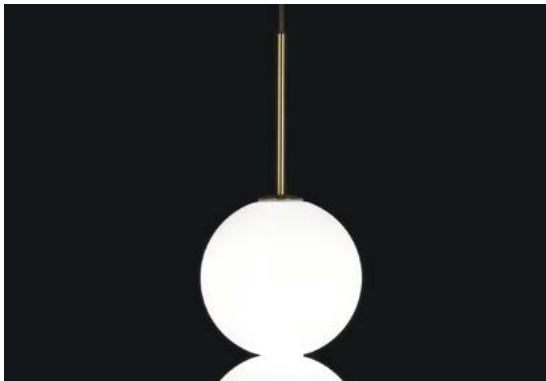
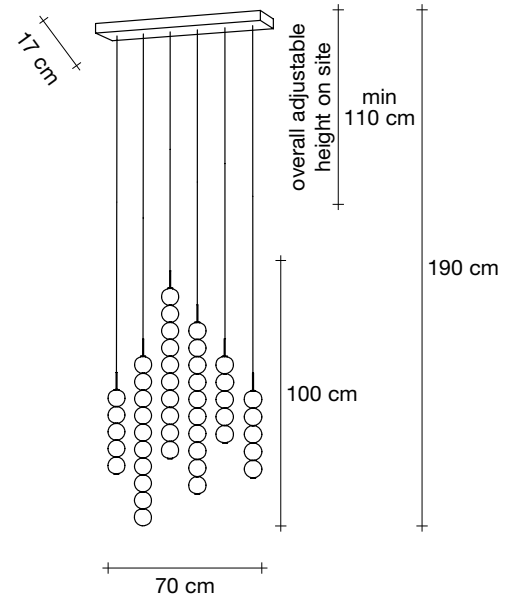
Materials
brass | white glass

CE ENEC CB

Finishes | Code

-  white canopy | brass
0V06SE8BR2B
-  painted brass canopy | brass
0V06SP4BR2B


Body | 3x5 - 3x10 spheres



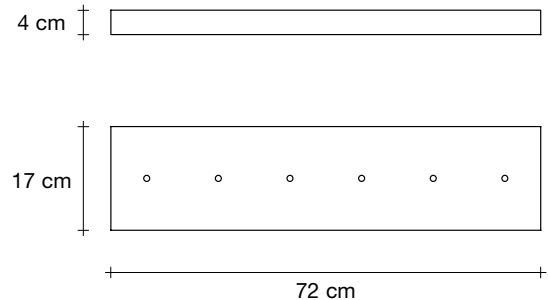
Light source
220-240V ~ 50/60Hz

-  Built in replaceable led module
3 x 3,6W
3 x 7,2W
4860 lm 3000K

dimnable options

-  0/1-10V
PWM
100kΩ
PUSH
DALI
0-10V

Canopy



Used for centuries as a tool to both teach and communicate mathematics, the abacus was found in one form or another across the ancient world. At Terzani, we saw the beauty in the abacus' mathematical purity and clean, functional design. In the hands of Terzani's craftsmen, we've turned this inspiration into a new collection of modular pendant lamps whose flexibility allows for complex and beautiful configurations. Each module, or strand, of Abacus is made of a custom set of round, hand-blown opal glass that emits a soft and uniform light. And, as the original abacus was used to calculate everything from simple addition to complex formulas, we've retained the same scalability. Due to its customization, our Abacus light is just as suitable in a home as in a commercial space, and its almost infinite configurations ensure you always find the right solution.

Abacus, multiplying *luminescence*.

design Draw
terzani.com

TERZANI





Name
Abacus
medium linear multi light pendant

Materials
brass | white glass

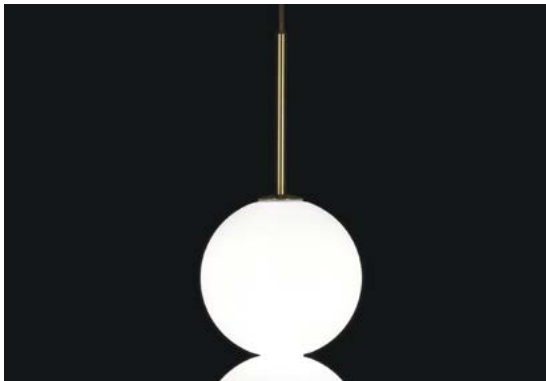
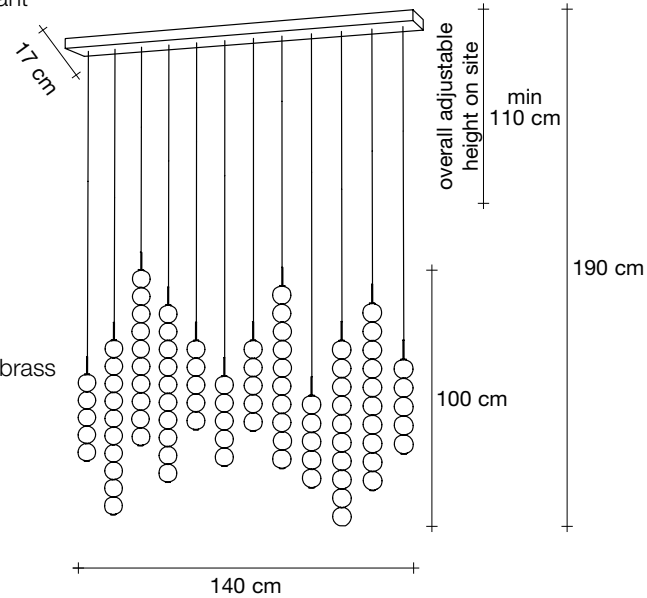
CE ENEC CB

Finishes | Code

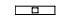
 white canopy | brass
OV12SE8BR3M

 painted brass canopy | brass
OV12SP4BR3M


Body | 6x5 - 6x10 spheres



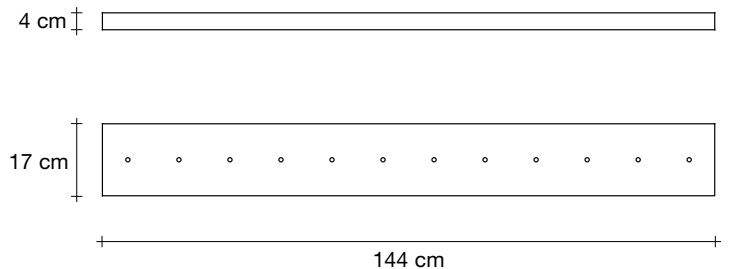
Light source
220-240V ~ 50/60Hz

 Built in replaceable led module
6 x 3,6W
6 x 7,2W
9720 lm 3000K

dimnable options

 0/1-10V
PWM
100kΩ
PUSH
DALI
0-10V


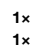
Canopy


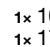


Used for centuries as a tool to both teach and communicate mathematics, the abacus was found in one form or another across the ancient world. At Terzani, we saw the beauty in the abacus' mathematical purity and clean, functional design. In the hands of Terzani's craftsmen, we've turned this inspiration into a new collection of modular pendant lamps whose flexibility allows for complex and beautiful configurations. Each module, or strand, of Abacus is made of a custom set of round, hand-blown opal glass that emits a soft and uniform light. And, as the original abacus was used to calculate everything from simple addition to complex formulas, we've retained the same scalability. Due to its customization, our Abacus light is just as suitable in a home as in a commercial space, and its almost infinite configurations ensure you always find the right solution.

v1.1

 13 kg

 1x 9,6 kg
 1x 10,6 kg

 1x 107 x 80 x 24,5 cm
 1x 177 x 29 x 16 cm

Abacus, multiplying *luminescence*.

design Draw
terzani.com

TERZANI




Name
Abacus
large linear multi light pendant

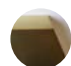
Body | 7x5 - 8x10 spheres

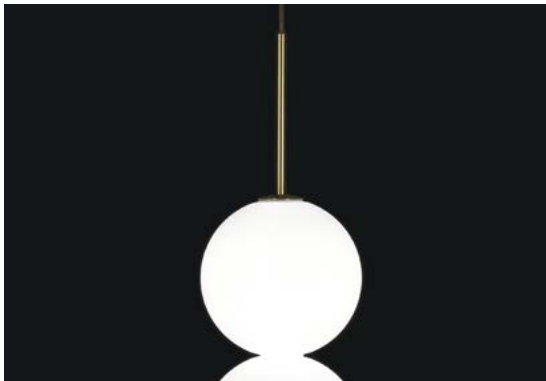
Materials
brass | white glass

CE ENEC CB

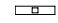
Finishes | Code

 white canopy | brass
0V15SE8BR4D


 painted brass canopy | brass
0V15SM3BR4D



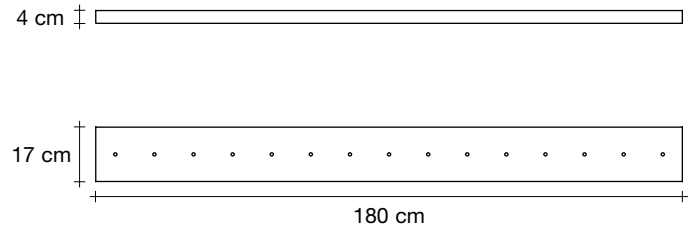
Light source
220-240V ~ 50/60Hz

Built in replaceable led module
 7 x 3,6W
8 x 7,2W
12420 lm 3000K

dimnable options

 0/1-10V
PWM
100kΩ
PUSH
DALI
0-10V

Canopy



Used for centuries as a tool to both teach and communicate mathematics, the abacus was found in one form or another across the ancient world. At Terzani, we saw the beauty in the abacus' mathematical purity and clean, functional design. In the hands of Terzani's craftsmen, we've turned this inspiration into a new collection of modular pendant lamps whose flexibility allows for complex and beautiful configurations. Each module, or strand, of Abacus is made of a custom set of round, hand-blown opal glass that emits a soft and uniform light. And, as the original abacus was used to calculate everything from simple addition to complex formulas, we've retained the same scalability. Due to its customization, our Abacus light is just as suitable in a home as in a commercial space, and its almost infinite configurations ensure you always find the right solution.

Abacus, multiplying *luminescence*.

design Draw
terzani.com

TERZANI




Name
Abacus
wall sconce

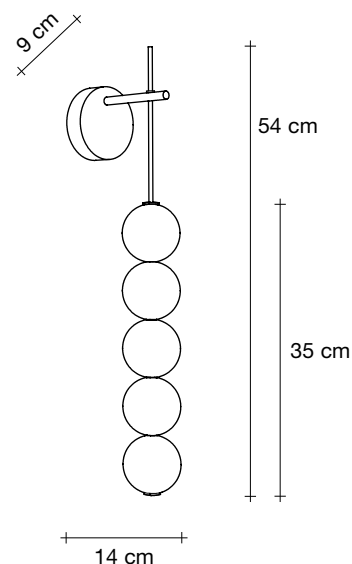
Materials
brass | white glass

CE ENEC CB

Finishes | Code

 brass canopy | brass
OV01AM3B15


Body | 5 spheres




Light source
220-240V ~ 50/60Hz

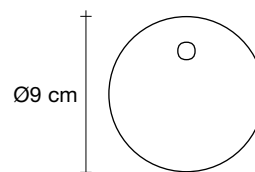
 Built in replaceable led module
3,6W 540 lm 3000K

dimming options

 0/1-10V
PUSH

 not dimmable

Canopy



Used for centuries as a tool to both teach and communicate mathematics, the abacus was found in one form or another across the ancient world. At Terzani, we saw the beauty in the abacus' mathematical purity and clean, functional design. In the hands of Terzani's craftsmen, we've turned this inspiration into a new collection of modular pendant lamps whose flexibility allows for complex and beautiful configurations. Each module, or strand, of Abacus is made of a custom set of round, hand-blown opal glass that emits a soft and uniform light. And, as the original abacus was used to calculate everything from simple addition to complex formulas, we've retained the same scalability. Due to its customization, our Abacus light is just as suitable in a home as in a commercial space, and its almost infinite configurations ensure you always find the right solution.