

# Etoile, twinkling in an *indoor sky*.

design Christian Lava  
terzani.com

# TERZANI




**Name**  
Etoile  
pendant light

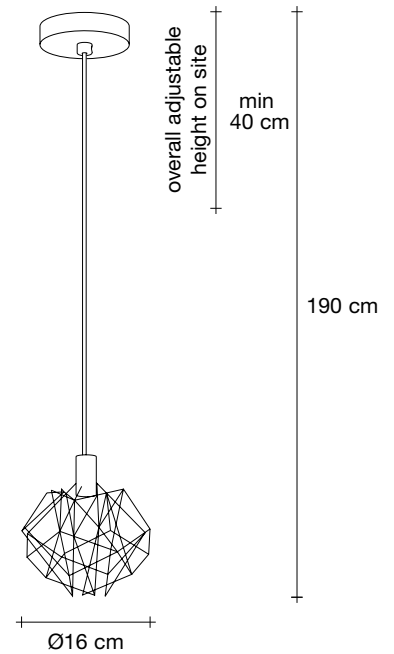
**Materials**  
metal

CE ENEC CB

**Finishes | Code**

 nickel plated  
OP05S E7 C8

**Body**



**Light source options**


230-240V ~ 50/60Hz

 HALOGEN  
20W G4 12V  
10W G4 12V

or

 LED  
2W G4 12V  
3W G4 12V

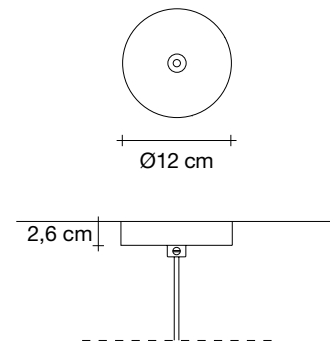
**dimming options**

 not dimmable

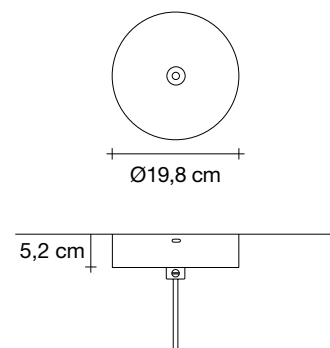
 IGBT  
TRIAC  
DALI

Etoile's intricate network of intersecting nickel lines recalls constellations in a clear night sky. Strategically placed bulbs cast a starry light, twinkling as viewers move around the pendant. By projecting these complex patterns throughout the room, Etoile casts a heavenly glow in any space. Design Christian Lava.

**Canopy | white**



**Canopy for DALI | white**



# Etoile, twinkling in an *indoor sky*.

design Christian Lava  
terzani.com


# TERZANI

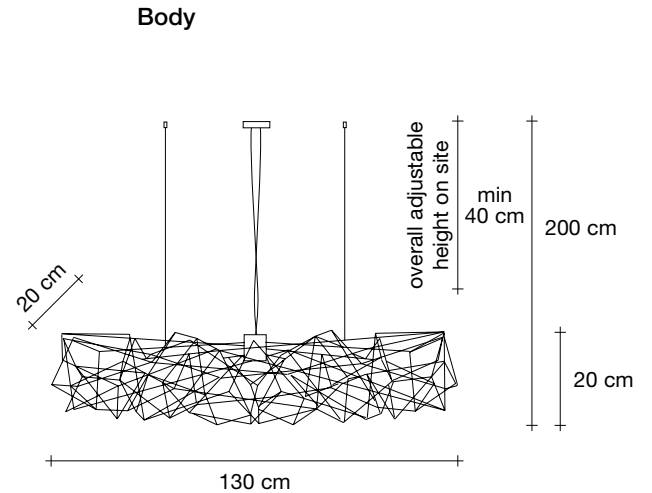


**Name**  
Etoile  
linear chandelier

**Materials**  
metal

CE ENEC CB

**Finishes | Code**  
 nickel plated  
OP04S E7 C8




**Light source options**  
230-240V ~ 50/60Hz

 HALOGEN  
8 × 20W G4 12V

or

 LED  
8 × 2W G4 12V

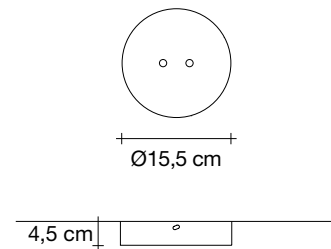
**dimnable options**

 not dimmable

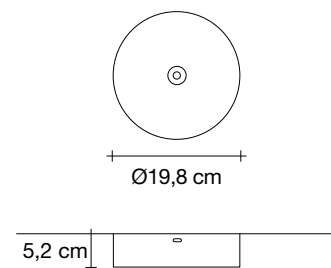
 IGBT  
TRIAC  
10-100kΩ  
0/1-10V  
PUSH  
DALI

Etoile's intricate network of intersecting nickel lines recalls constellations in a clear night sky. Strategically placed bulbs cast a starry light, twinkling as viewers move around the pendant. By projecting these complex patterns throughout the room, Etoile casts a heavenly glow in any space. Design Christian Lava.

**Canopy**



**Canopy for DALI**



# Etoile, twinkling in an *indoor sky*.

design Christian Lava  
terzani.com

# TERZANI




**Name**  
Etoile  
chandelier

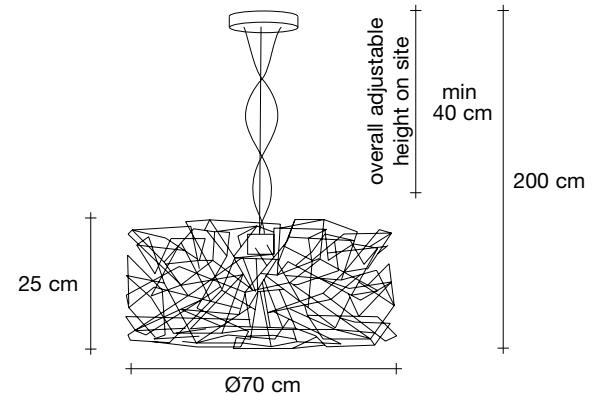
**Materials**  
metal

CE ENEC CB

**Finishes | Code**

 nickel plated  
0P01S E7 C8

## Body




## Light source options

230-240V ~ 50/60Hz

 HALOGEN  
8 × 10W G4 12V  
8 × 20W G4 12V

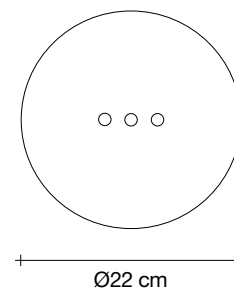
or

 LED  
16 × 1,2W G4 12V

**dimnable options**

 IGBT  
TRIAC  
0/1-10V  
PWM  
10-100kΩ  
PUSH  
DALI

## Canopy



Etoile's intricate network of intersecting nickel lines recalls constellations in a clear night sky. Strategically placed bulbs cast a starry light, twinkling as viewers move around the pendant. By projecting these complex patterns throughout the room, Etoile casts a heavenly glow in any space. Design Christian Lava.

# Etoile, twinkling in an *indoor sky*.

design Christian Lava  
terzani.com

## TERZANI



**Name**  
Etoile  
wall sconce

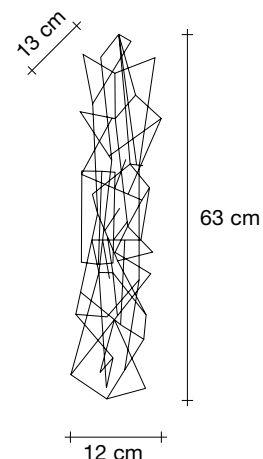
**Materials**  
metal

CE ENEC CB

**Finishes | Code**

 nickel plated  
OP03A E7 C8

**Body**



**Light source options**


230-240V ~ 50/60Hz


 HALOGEN  
6 x 10W G4 12V

or

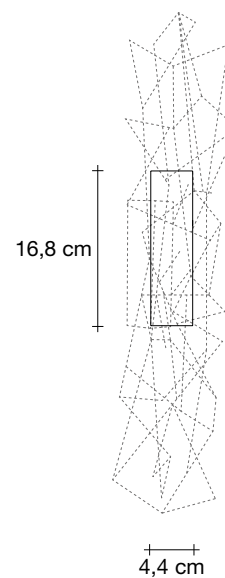
 LED  
6 x 2W G4 12V

**dimnable options**

 not dimmable

 IGBT

**Canopy**



Etoile's intricate network of intersecting nickel lines recalls constellations in a clear night sky. Strategically placed bulbs cast a starry light, twinkling as viewers move around the pendant. By projecting these complex patterns throughout the room, Etoile casts a heavenly glow in any space. Design Christian Lava.