

Atlantis, a precious *wave*.

design Barlas Baylar
terzani.com

TERZANI



Name
Atlantis
small three tier chandelier

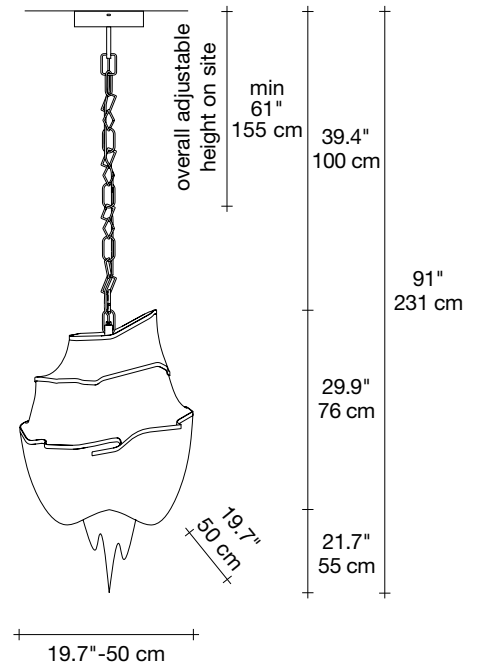
Materials
brass chains | metal
structure plated as below



Finishes | Code


-  nickel plated
0A13S E7 C8
-  black nickel plated
0A13S E9 C8
-  brushed bronze
0A13S F7 C8
-  gold plated
0A13S L6 C8
-  champagne plated
0A13S N1 C8
-  brushed champagne plated
0A13S N7 C8

Body




Light source

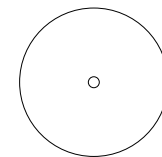
120V ~ 50/60Hz

 LED
6 x 5.5W E12 dimmable

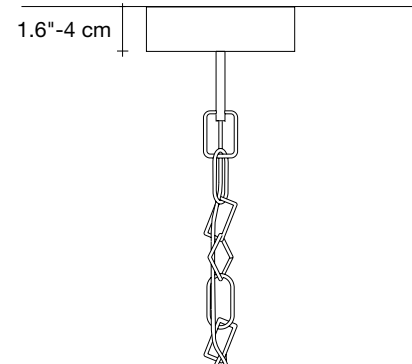
dimmable options

 all systems

Canopy



Ø5.5"-14 cm



Seemingly alive, atlantis' shimmering light creates a vibrant source of energy. Its mesmerizing, organic effect is created by hundreds of illuminated lengths of draped, nickel chain. Like water in the ocean, atlantis' chains appear liquid, cascading over its gloss nickel bands and falling down towards the abyss before turning back into itself. Atlantis is composed of almost three miles of chain, meticulously hand-crafted by master italian artisans. Design Barlas Baylar.

Atlantis, a precious *wave*.

design Barlas Baylar
terzani.com

TERZANI



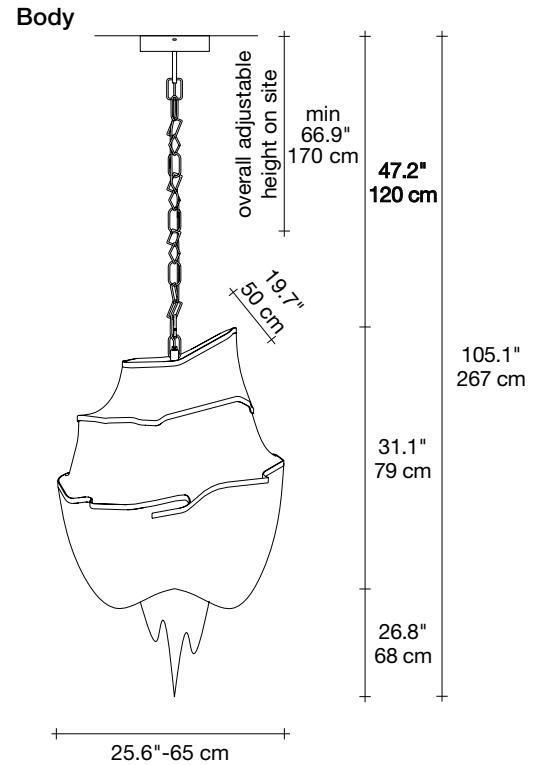
Name
Atlantis
medium three tier chandelier

Materials
brass chains | metal
structure plated as below




Finishes | Code

-  nickel plated
0A14S E7 C8
-  black nickel plated
0A14S E9 C8
-  brushed bronze
0A14S F7 C8
-  gold plated
0A14S L6 C8
-  champagne plated
0A14S N1 C8
-  brushed champagne plated
0A14S N7 C8




Light source

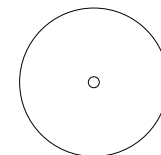
120V ~ 50/60Hz

 LED
8 x 5.5W E12 dimmable

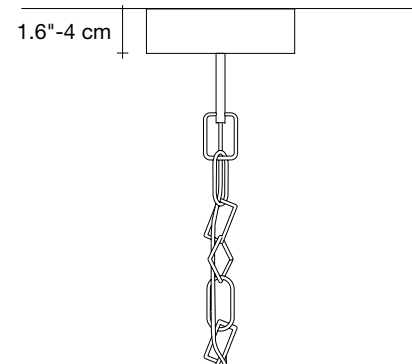
dimmable options

 all systems

Canopy



Ø5.5"-14 cm



Seemingly alive, atlantis' shimmering light creates a vibrant source of energy. Its mesmerizing, organic effect is created by hundreds of illuminated lengths of draped, nickel chain. Like water in the ocean, atlantis' chains appear liquid, cascading over its gloss nickel bands and falling down towards the abyss before turning back into itself. Atlantis is composed of almost three miles of chain, meticulously hand-crafted by master italian artisans. Design Barlas Baylar.

-  62 lbs
-  128 lbs
-  35.4" x 29.5" x 51.6"
-  28 kg
-  58 kg
-  85 x 70 x 129 cm

Atlantis, a precious *wave*.

design Barlas Baylar
terzani.com

TERZANI



Name
Atlantis
large three tier chandelier

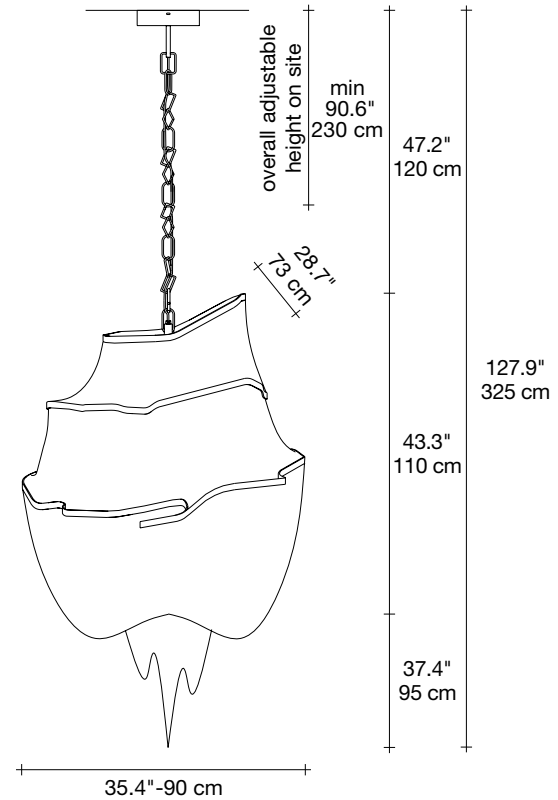
Materials
brass chains | metal
structure plated as below



Finishes | Code


-  nickel plated
0A15S E7 C8
-  black nickel plated
0A15S E9 C8
-  brushed bronze
0A15S F7 C8
-  gold plated
0A15S L6 C8
-  champagne plated
0A15S N1 C8
-  brushed champagne plated
0A15S N7 C8

Body




Light source

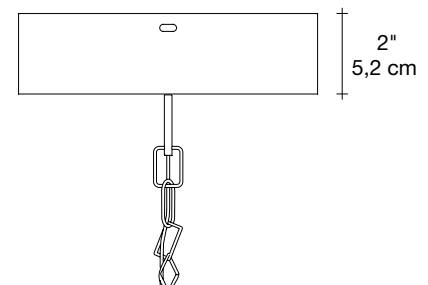
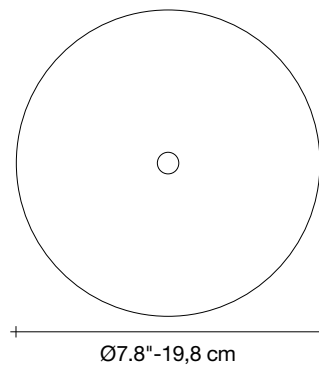
120V ~ 50/60Hz

 LED
8 x 5.5W E12 dimmable

dimmable options

 all systems

Canopy



Seemingly alive, atlantis' shimmering light creates a vibrant source of energy. Its mesmerizing, organic effect is created by hundreds of illuminated lengths of draped, nickel chain. Like water in the ocean, atlantis' chains appear liquid, cascading over its gloss nickel bands and falling down towards the abyss before turning back into itself. Atlantis is composed of almost three miles of chain, meticulously hand-crafted by master italian artisans. Design Barlas Baylar.

 82 lbs
 201 lbs
 45.3" x 33.4" x 59.1"
 37 kg
 91 kg
 115 x 85 x 150 cm

Atlantis, a precious *wave*.

design Barlas Baylar
terzani.com

TERZANI



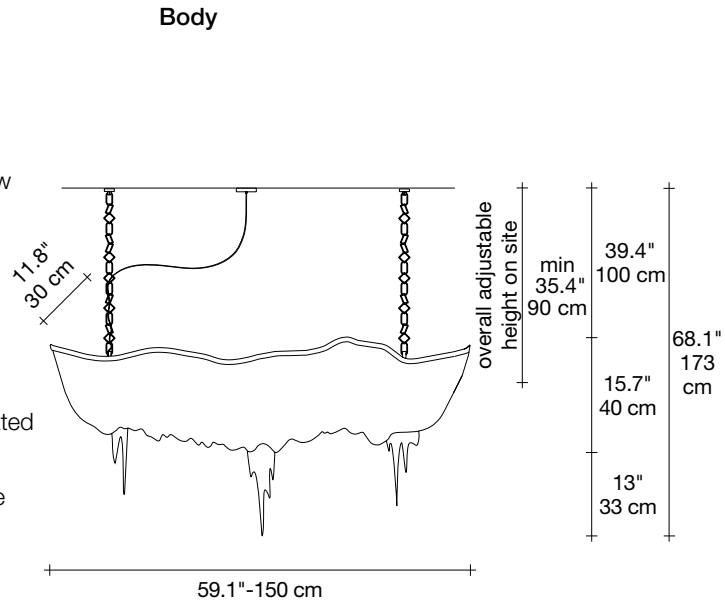
Name
Atlantis
small linear chandelier

Materials
brass chains | metal
structure plated as below




Finishes | Code


-  nickel plated
0A18S E7 C8
-  black nickel plated
0A18S E9 C8
-  brushed bronze
0A18S F7 C8
-  gold plated
0A18S L6 C8
-  champagne plated
0A18S N1 C8
-  brushed champagne plated
0A18S N7 C8



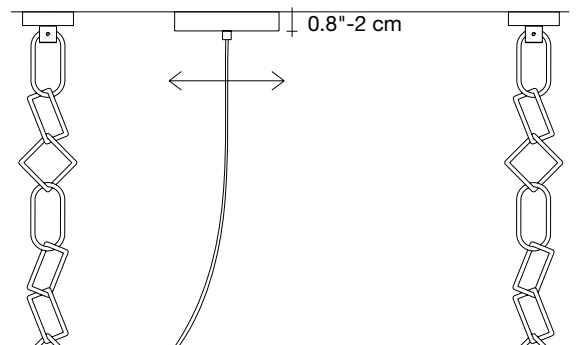
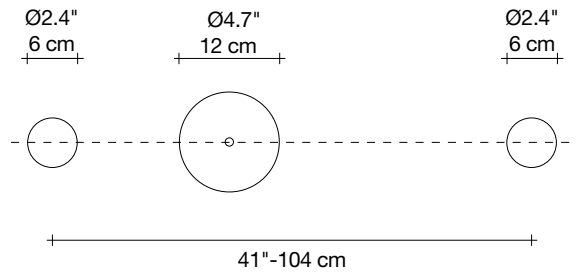
Light source
120V ~ 50/60Hz

 LED
8 x 5.5W E12 dimmable

dimmable options

 all systems

Canopy



Seemingly alive, atlantis' shimmering light creates a vibrant source of energy. Its mesmerizing, organic effect is created by hundreds of illuminated lengths of draped, nickel chain. Like water in the ocean, atlantis' chains appear liquid, cascading over its gloss nickel bands and falling down towards the abyss before turning back into itself. Atlantis is composed of almost three miles of chain, meticulously hand-crafted by master italian artisans. Design Barlas Baylar.

Atlantis, a precious *wave*.

design Barlas Baylar
terzani.com

TERZANI



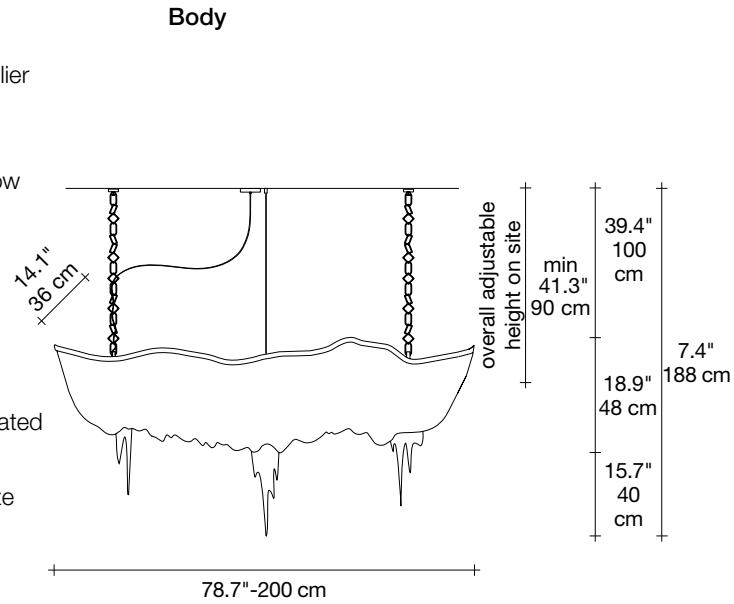
Name
Atlantis
medium linear chandelier

Materials
brass chains | metal
structure plated as below





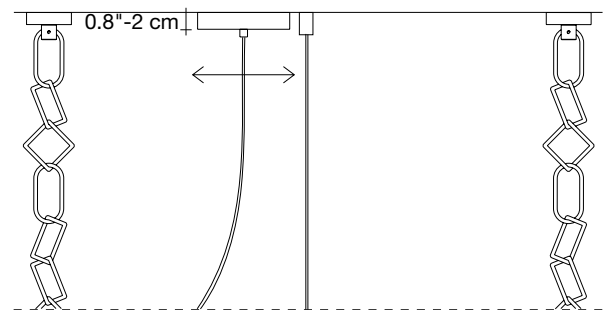
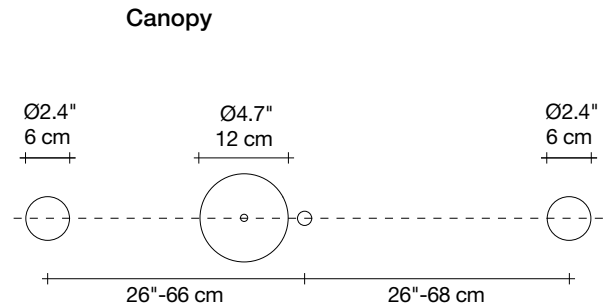
Finishes | Code

-  nickel plated
0A17S E7 C8
-  black nickel plated
0A17S E9 C8
-  brushed bronze
0A17S F7 C8
-  gold plated
0A17S L6 C8
-  champagne plated
0A17S N1 C8
-  brushed champagne plated
0A17S N7 C8



Light source
120V ~ 50/60Hz

-  LED
10 x 5.5W E12 dimmable
- dimmable options**
-  all systems



Seemingly alive, atlantis' shimmering light creates a vibrant source of energy. Its mesmerizing, organic effect is created by hundreds of illuminated lengths of draped, nickel chain. Like water in the ocean, atlantis' chains appear liquid, cascading over its gloss nickel bands and falling down towards the abyss before turning back into itself. Atlantis is composed of almost three miles of chain, meticulously hand-crafted by master italian artisans. Design Barlas Baylar.

Atlantis, a precious *wave*.

design Barlas Baylar
terzani.com

TERZANI



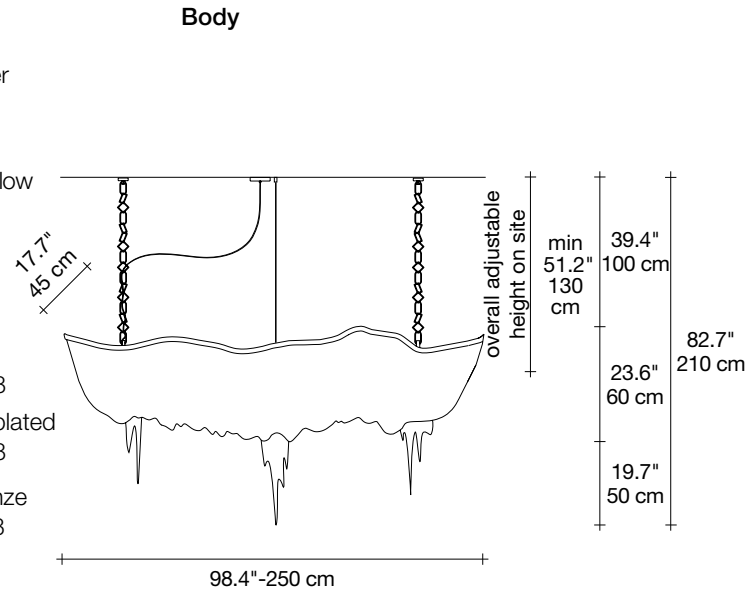
Name
Atlantis
large linear chandelier

Materials
brass chains | metal
structure plated as below





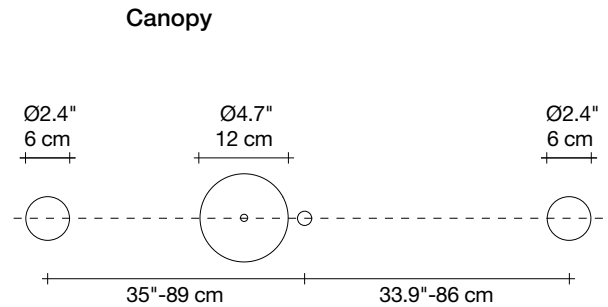
Finishes | Code

-  nickel plated
0A16S E7 C8
-  black nickel plated
0A16S E9 C8
-  brushed bronze
0A16S F7 C8
-  gold plated
0A16S L6 C8
-  champagne plated
0A16S N1 C8
-  brushed champagne plated
0A16S N7 C8

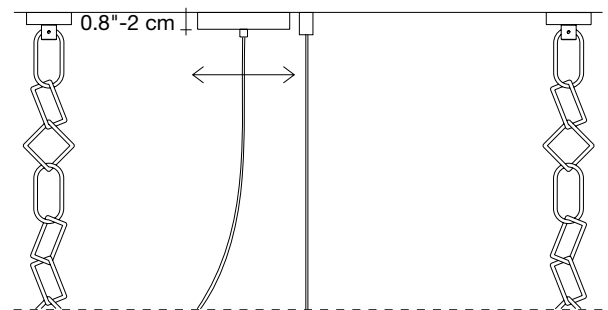


Light source
120V ~ 50/60Hz

-  LED
10 x 5.5W E12 dimmable
- dimmable options**
-  all systems



Seemingly alive, atlantis' shimmering light creates a vibrant source of energy. Its mesmerizing, organic effect is created by hundreds of illuminated lengths of draped, nickel chain. Like water in the ocean, atlantis' chains appear liquid, cascading over its gloss nickel bands and falling down towards the abyss before turning back into itself. Atlantis is composed of almost three miles of chain, meticulously hand-crafted by master italian artisans. Design Barlas Baylar.



-  146 lbs
66 kg
-  322 lbs
146 kg
-  108.3" x 29.5" x 45.7"
270 x 70 x 114 cm

Atlantis, a precious *wave*.

design Barlas Baylar
terzani.com

TERZANI



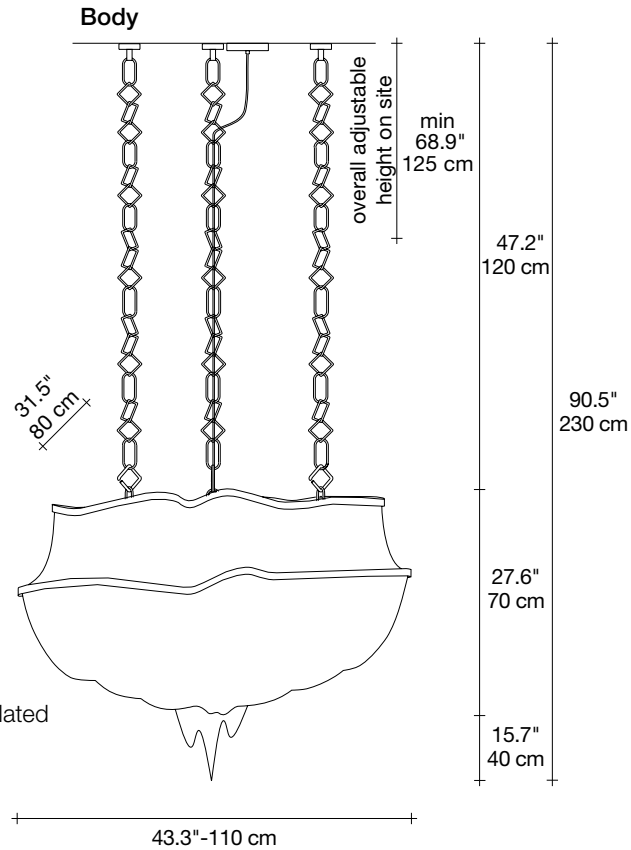
Name
Atlantis
two tier chandelier

Materials
brass chains | metal
structure plated as below




Finishes | Code


-  nickel plated
OJ01S E7 C8
-  black nickel plated
OJ01S E9 C8
-  brushed bronze
OJ01S F7 C8
-  gold plated
OJ01S L6 C8
-  champagne plated
OJ01S N1 C8
-  brushed champagne plated
OJ01S N7 C8

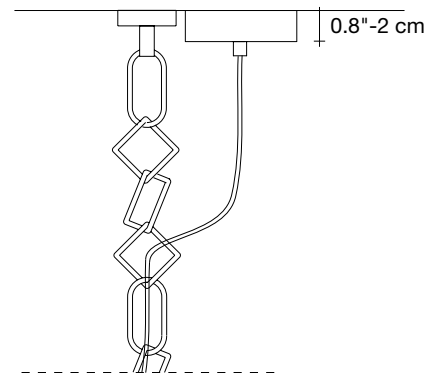
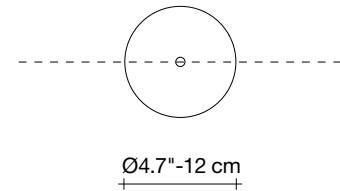


Light source
120V ~ 50/60Hz

 LED
8 x 5.5W E12 dimmable

dimmable options

 all systems



Seemingly alive, atlantis' shimmering light creates a vibrant source of energy. Its mesmerizing, organic effect is created by hundreds of illuminated lengths of draped, nickel chain. Like water in the ocean, atlantis' chains appear liquid, cascading over its gloss nickel bands and falling down towards the abyss before turning back into itself. Atlantis is composed of almost three miles of chain, meticulously hand-crafted by master italian artisans. Design Barlas Baylar.

 99.2 lbs
45 kg

 203 lbs
92 kg

 53.2" x 39.4" x 44.9"
135 x 100 x 114 cm

Atlantis, a precious *wave*.

design Barlas Baylar
terzani.com

TERZANI



Name
Atlantis
small wall sconce

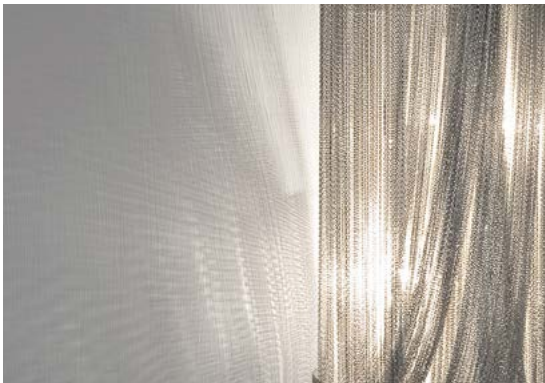
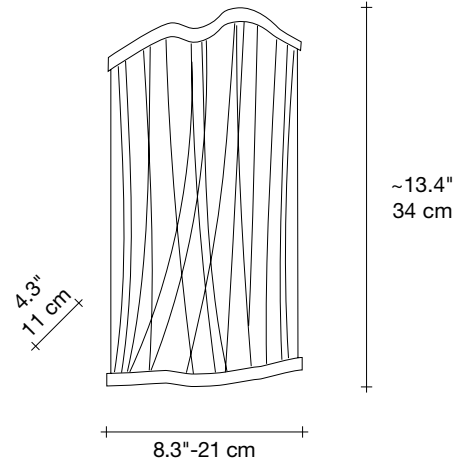
Materials
brass chains | metal
structure plated as below



Finishes | Code


-  nickel plated
OJ04A E7 C8
-  black nickel plated
OJ04A E9 C8
-  brushed bronze
OJ04A F7 C8
-  gold plated
OJ04A L6 C8
-  champagne plated
OJ04A N1 C8
-  brushed champagne plated
OJ04A N7 C8

Body




Light source

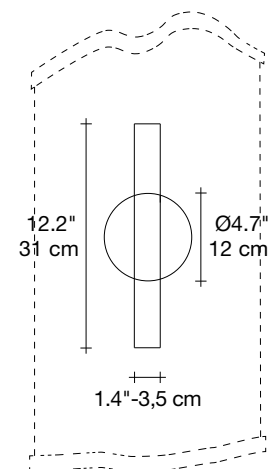
120V ~ 50/60Hz

 LED
2 x 5.5W E12 dimmable

dimnable options

 all systems

Canopy



Seemingly alive, atlantis' shimmering light creates a vibrant source of energy. Its mesmerizing, organic effect is created by hundreds of illuminated lengths of draped, nickel chain. Like water in the ocean, atlantis' chains appear liquid, cascading over its gloss nickel bands and falling down towards the abyss before turning back into itself. Atlantis is composed of almost three miles of chain, meticulously hand-crafted by master italian artisans. Design Barlas Baylar.

Atlantis, a precious *wave*.

design Barlas Baylar
terzani.com

TERZANI



Name
Atlantis
large wall sconce

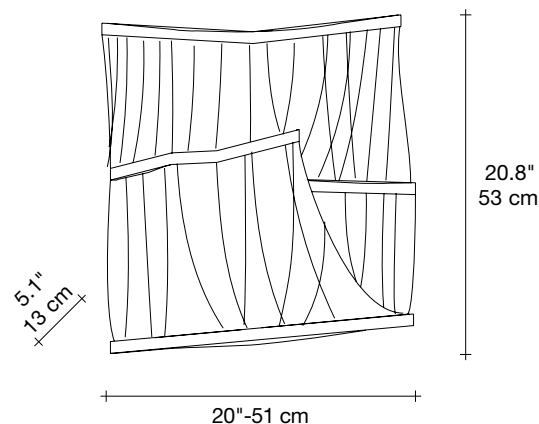
Materials
brass chains | metal
structure plated as below



Finishes | Code

-  nickel plated
OJ03A E7 C8
-  black nickel plated
OJ03A E9 C8
-  brushed bronze
OJ03A F7 C8
-  gold plated
OJ03A L6 C8
-  champagne plated
OJ03A N1 C8
-  brushed champagne plated
OJ03A N7 C8

Body




Light source

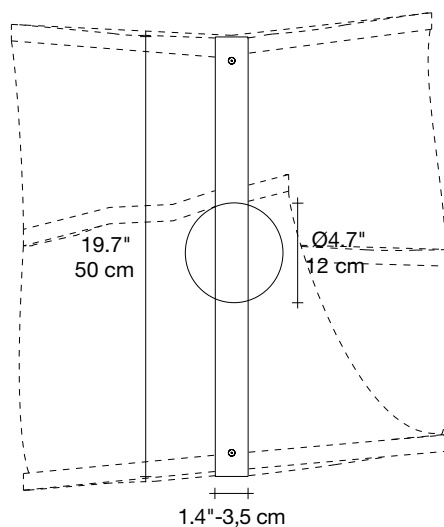
120V ~ 50/60Hz

 LED
4 x 5.5W E12 dimmable


dimmable options


 all systems


Canopy



Seemingly alive, atlantis' shimmering light creates a vibrant source of energy. Its mesmerizing, organic effect is created by hundreds of illuminated lengths of draped, nickel chain. Like water in the ocean, atlantis' chains appear liquid, cascading over its gloss nickel bands and falling down towards the abyss before turning back into itself. Atlantis is composed of almost three miles of chain, meticulously hand-crafted by master italian artisans. Design Barlas Baylar.

 13.2 lbs
6 kg

 19.8 lbs
9 kg

 23.2" x 23.2" x 11.2"
59 x 59 x 28,5 cm