

Volver, breath of new *light*.

design Studio 14
terzani.com

TERZANI



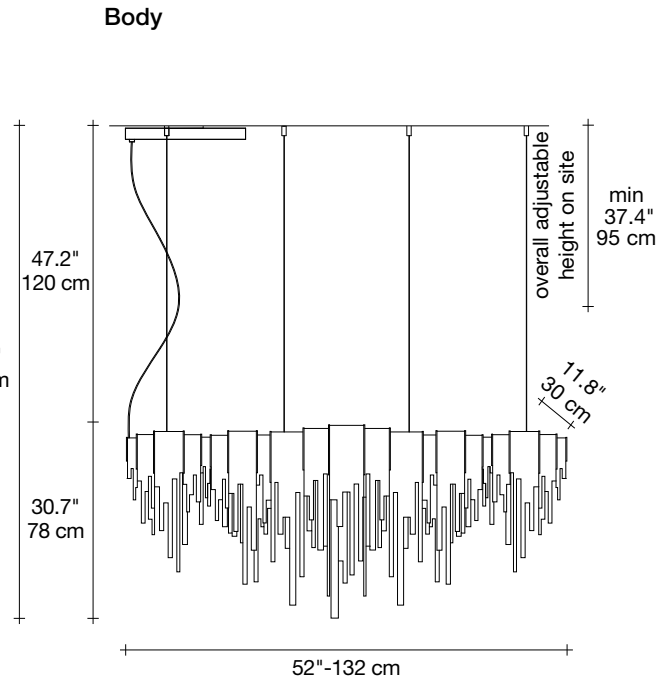
Name
Volver
medium linear chandelier

Materials
brass chains | metal
structure plated as below



Finishes | Code

-  nickel plated
OL60SE7C8
-  black nickel plated
OL60SE9C8
-  brushed bronze
OL60SF7C8
-  gold plated
OL60SL6C8



Light source

120V ~ 50/60Hz



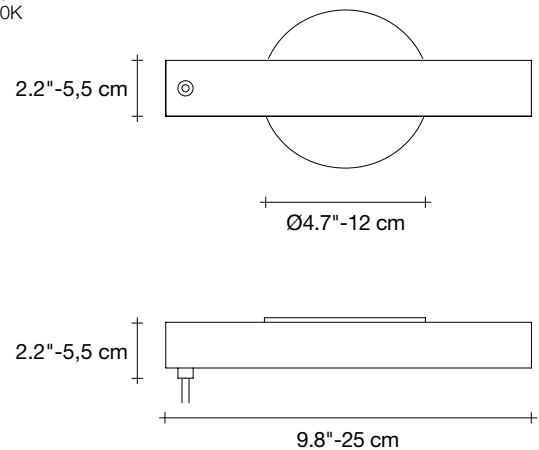
Built in Replaceable LED Module
10 x 4.5W 6617 lm CRI 90 3000K
or optional 6000 lm 2700K

dimnable options






1-10V
PWM
10-100kΩ

Canopy



At Terzani, we are fortunate to work with some of the brightest young stars in Italian design. For Volver, designer Diego Bassetti and architect Andrea Panzeri of Studio 14, protégés of Bruno Rainaldi, applied their multidisciplinary approach to create Terzani's first led suspension light. This geometric design combines thin chains with the latest in led technology to create a light that is both elegant and modern. A breath of new light, Volver melds technology and art to achieve a new level of luxury. Available in a circular variation. Design Studio 14.

-  80.5 lbs
36,5 kg
-  159 lbs
72 kg
-  58.3" x 21.7" x 39"
148 x 55 x 99 cm