

# Stream, iridescent *light.*

design Christian Lava  
terzani.com

**TERZANI**  
LA LUCE PENSATA



**Name**  
Stream  
wall sconce

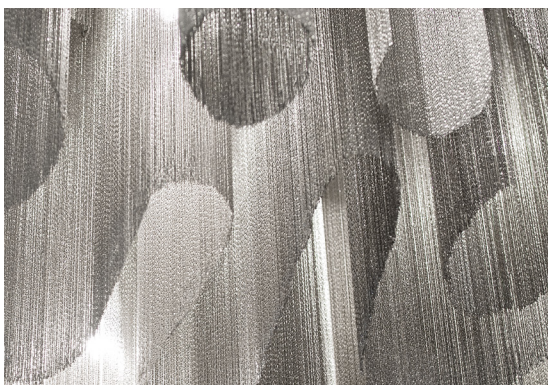
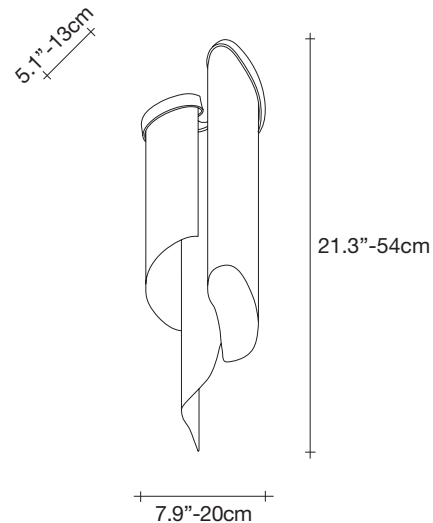
**Materials**  
metal



**Finishes | Code**

-  nickel plated  
OJ60A E7 C8
-  black nickel plated  
OJ60A E9 C8
-  gold plated  
OJ60A L6 C8

**Body**




**Light source**

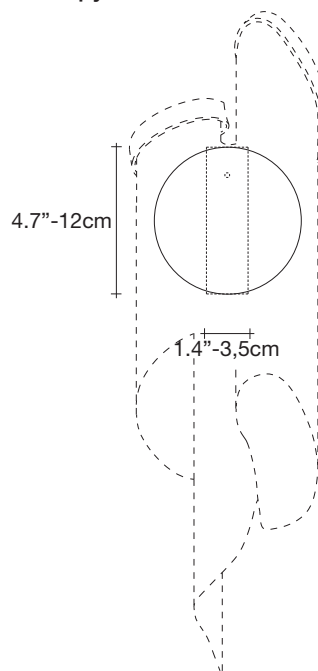
120V ~ 50/60Hz

 LED  
2 x 5.5W E12 dimmable

**dimmable options**

 all systems

**Canopy**



A stunning design from Christian Lava, Stream is an impressive presence in any room. Stream's design exploits the physical characteristics of the materials used to envelop a room in a unique, immersive light. Here, over 7 kilometers of metal chain appear to flow down from the undulating, nickel plated frame. These cascading tiers project a streaking, yet tranquil, shadow throughout the room. Design Christian Lava.