

# Soscik, classic form, *modern look.*

design Nicolas Terzani  
terzani.com



**Name**  
Soscik  
medium ceiling light

**Materials**  
metal



### Finishes | Code



nickel plated | brushed nickel plated  
0G61L H4 C8



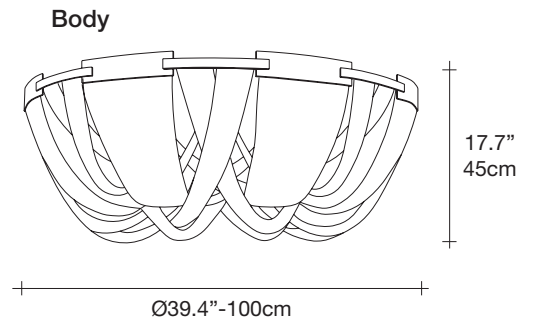
brushed bronze  
0G61L F7 C8



gold plated | brushed gold plated  
0G61L L8 C8



champagne plated | brushed champagne plated  
0G61L N1 C8



### Light source

120V ~ 50/60Hz

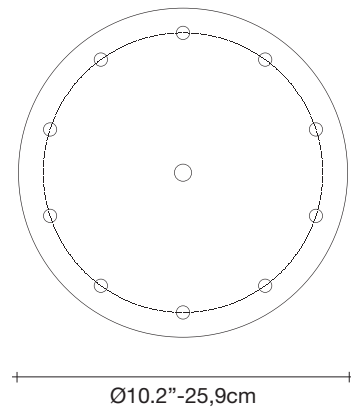
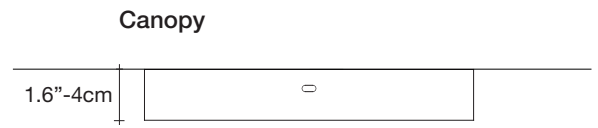


LED  
10 x 4W G9 dimmable

dimmable options



all systems



Reinventing the classics. With Soscik, Terzani combines traditional, artisan techniques with cutting edge technology to give the traditional chandelier a modern update. Created by interlacing metal chain over a nickel-plated frame, Soscik creates a dramatic and romantic effect, while still being able to compliment today's modern luxury. Available as a chandelier or a ceiling lamp, soscik proves that modern design does not have to sacrifice luxury. Design Nicolas Terzani.