

Soscik, classic form, *modern look.*

design Nicolas Terzani
terzani.com

TERZANI



Name
Soscik
medium chandelier

Materials
metal

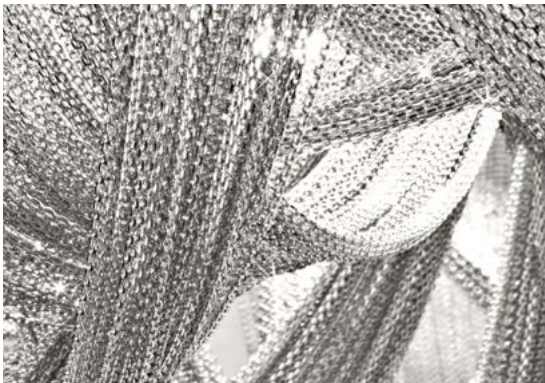
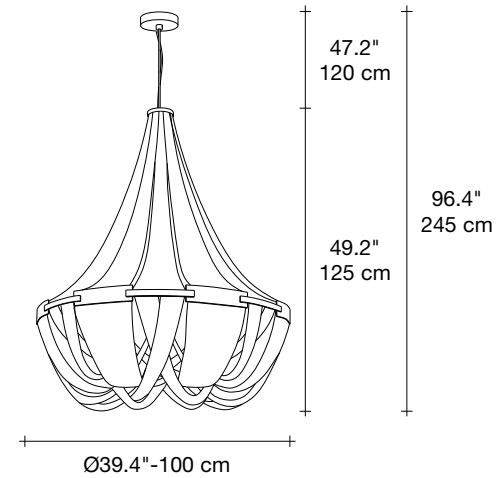


Finishes | Code

-  nickel plated | brushed nickel plated
OG56S H4 C8
-  brushed bronze
OG56S F7 C8
-  gold plated | brushed gold plated
OG56S L8 C8
-  champagne plated | brushed champagne plated
OG56S N1 C8

overall height not adjustable on site
optional custom OAH

Body



Light source

120V ~ 50/60Hz



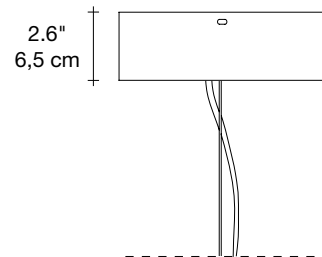
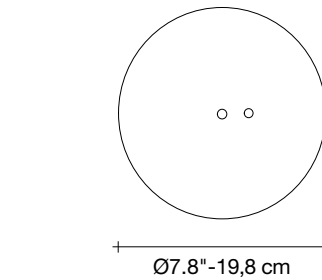
LED
12 x 4W G9 dimmable

dimmable options



all systems

Canopy



Terzani continues to reinvent the classics with Soscik, which combines traditional artisan techniques with cutting-edge technology to give the traditional chandelier a modern update. Created by interlacing metal chain over the frame, Soscik creates a dramatic and romantic effect while still complementing today's modern luxury. Available as a chandelier or a ceiling lamp, Soscik proves that modern design does not have to sacrifice luxury. Design Nicolas Terzani.