

Orten'zia, petals of *light*.

design Bruno Rainaldi
terzani.com

TERZANI
LA LUCE PENSATA





Product Name
Orten'zia
large mini pendant light

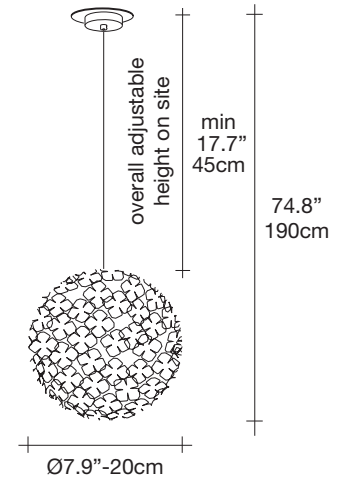
Materials
metal



Finishes | Code

-  nickel
OM40S E7 C8
-  gold plated
OM40S L6 C8

Body




Light source

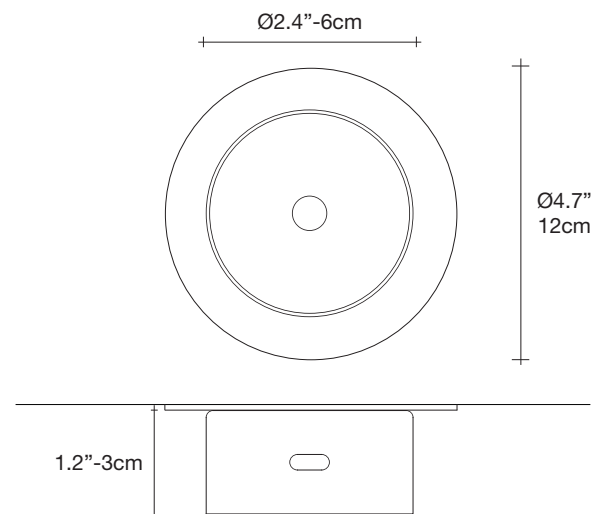
120V ~ 50/60Hz

 LED
4W E12 dimmable

dimmable with

 all systems

Canopy



Recalling the natural beauty of a flower, Orten'zia hand-soldered "petals" emanate a unique glow, immersing the entire room in a glimmering light. An organic radiance is created through light and shadow, planting a garden within the room. Available in either nickel or gold plated, the orten'zia's elegant form complements its dramatic light. Design Bruno Rainaldi.