

Moiré, movement *with pattern.*

design Christian Lava
terzani.com

TERZANI
LA LUCE PENSATA





Name
Moiré
pendant light

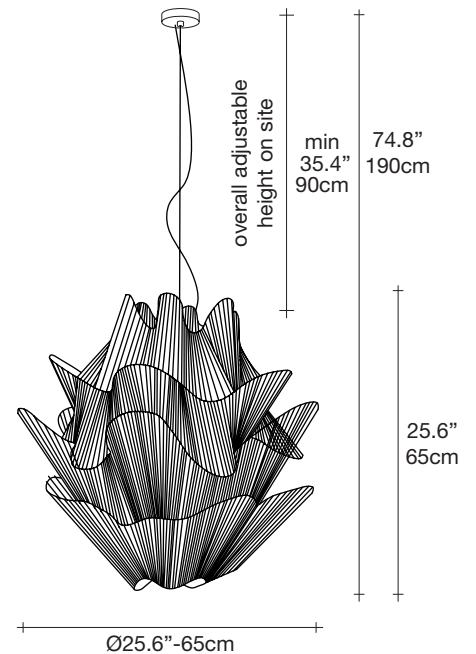
Materials
metal



Finishes | Code

-  nickel plated
OM10S E7 C8
-  gold plated
OM10S L6 C8

Body



Light source

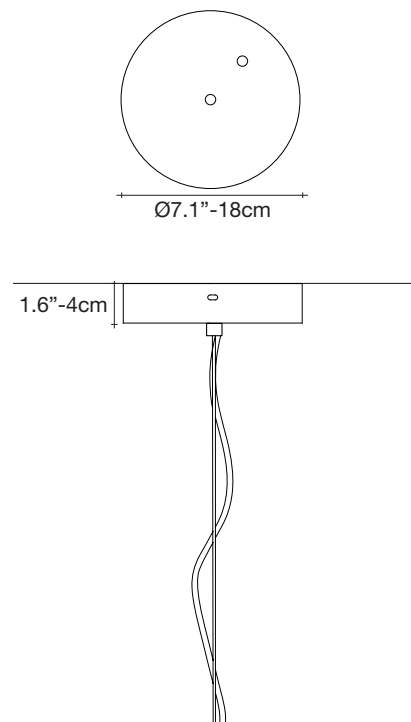
120V ~ 50/60Hz

-  Built in Replaceable LED Module
15W 1952 lm 3000K

dimnable options

-  1-10V
PUSH

Canopy



A French term derived from silk with a rippled or "watered" appearance, moiré is an optical effect that results in the illusion of waves or the movement of water. This effect is achieved by having an opaque, ruled pattern overlaid over another. Designer Christian Lava's studies of this effect have led to his latest design aptly titled, Moiré. Using overlapping grids of plastic, this LED pendant light dynamically changes shape following the viewer's gaze, practically coming to life with a vibrating energy. Available in multiple configurations, Moiré is a mesmerizing addition to any room.