

Manta, shimmering waves.

design Dodo Arslan & Nicolas Terzani
terzani.com




Name
Manta
pendant light

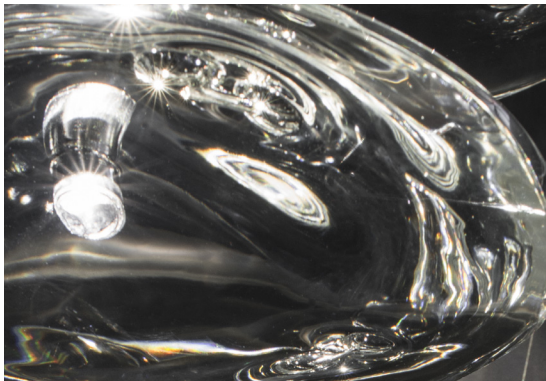
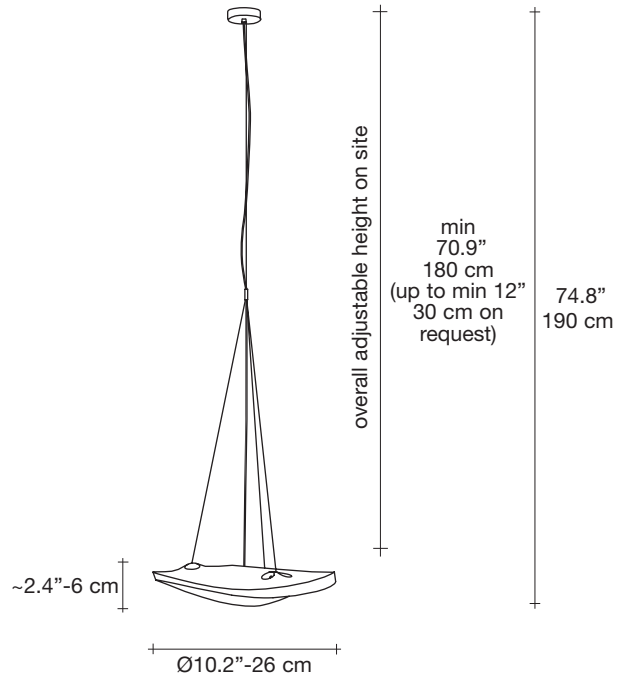
Materials
clear crystal



Finishes | Code


 clear
OK012 E8 A9

Body

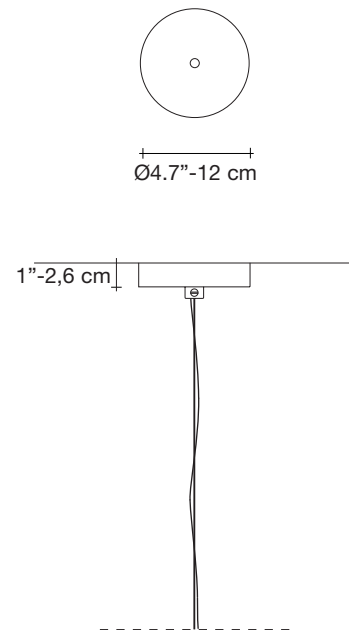


Light source
120V ~ 50/60Hz

 Built in Replaceable LED Module
1.5W 135 lm 3000K

 not dimmable

Canopy | white



Manta was created featuring sinuous, undulating lines. The results are soft waves of crystal light reminiscent of being underwater. The innovative Manta is made of crystal, with a dimmable integrated led lamp focused on maximizing the crystal's reflection. Manta's organic form is available in two sizes and can be installed in numerous, customizable arrangements. Design Dodo Arslan & Nicolas Terzani. Made in Italy.