

# Manta, shimmering waves.

design Dodo Arslan & Nicolas Terzani  
terzani.com



**Product Name**  
Manta  
pendant light

**Materials**  
clear crystal

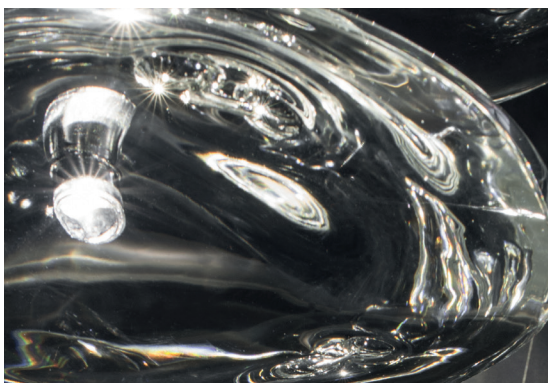
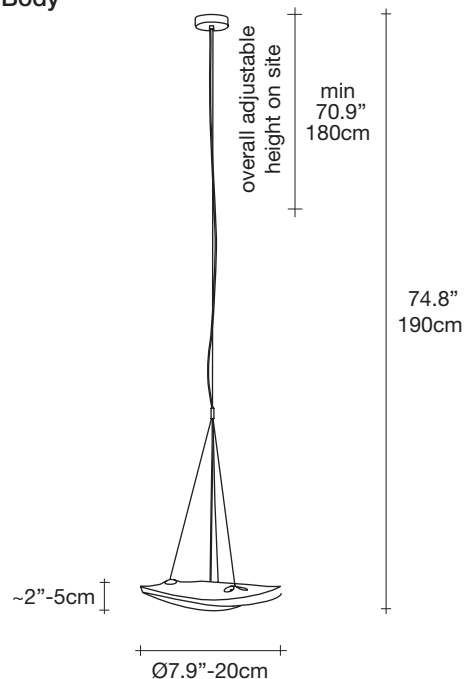


**Finishes | Code**



clear  
OK011 E8 A9

## Body

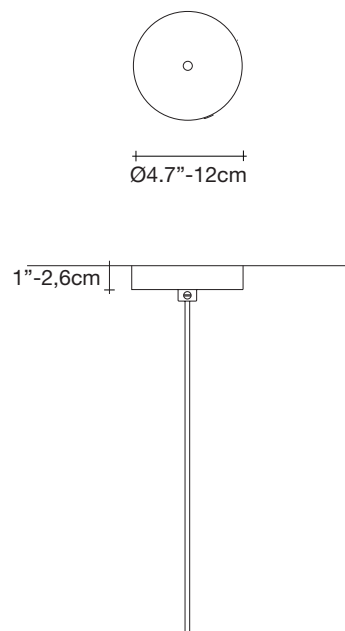


**Light source**  
120V ~ 50/60Hz

⊙ Built in Replaceable LED Module  
1.5W 105 lm 3000K

⊗ not dimmable

## Canopy | white



Manta is the latest design featuring the distinctive lead crystal first unveiled in Nicolas Terzani's best-selling Mizu. Collaborating with designer Dodo Arslan, the two imaginative minds created a light featuring sinuous, undulating lines. The results are soft waves of crystal light reminiscent of being underwater. The innovative Manta is made of crystal, with a dimmable integrated LED lamp focused on maximizing the crystal's reflection. Manta's organic form is available in three sizes (Ø 20cm-7.9", Ø 26cm-10.2", Ø 32cm-12.6") and can be installed in numerous, customizable arrangements. Design Dodo Arslan & Nicolas Terzani.

👤 lbs 4.9  
👤 kg 2,2

👤 lbs 6.2  
👤 kg 2,8

📦 12.6" x 9.5" x 6.7"  
📦 32 x 24 x 17 cm