

# G.r.a., gyrating romantic, *rings of light.*

design Bruno Rainaldi  
terzani.com

**TERZANI**  
LA LUCE PENSATA



## Product Name

G.r.a.  
oval pendant light

## Materials

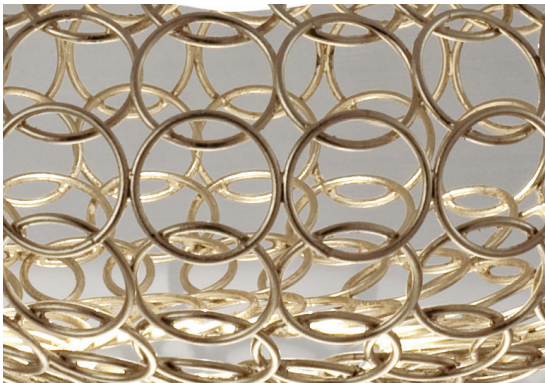
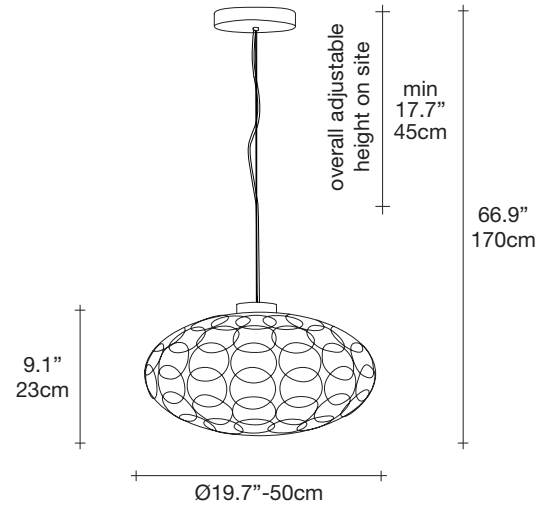
metal



## Finishes | Code

-  nickel  
ON41S E7 C8 L
-  gold leaf  
ON41S H5 C8 L
-  gold plated  
ON41S P3 C8 L

## Body



## Light source

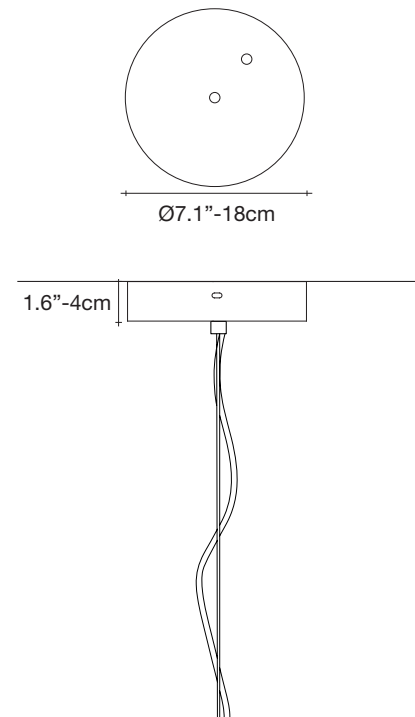
120V ~ 50/60Hz

-  Built in Replaceable LED Module  
18W 1640 lm 3000K  
or optional 1570 lm 2700K

### dimnable options

-  1-10V  
PUSH

## Canopy



This clean, precise form is the result of hours of labor by our artisans, who meticulously weld each ring together. G.r.a. is a delicate, refined pendant whose intricate shape belies its romantic glow. Available as an oval or a sphere, and finished in nickel or gold, G.r.a. serves as an elegant, unobtrusive complement to any room. Design Bruno Rainaldi.