

Frame, nature's, *imprint.*

design Terzani Lab
terzani.com



Product Name
Frame
wall sconce

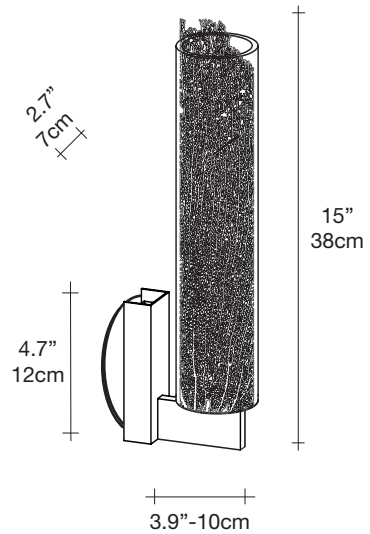
Materials
clear



Finishes | Code

-  white | clear
0Q04A E8 A9
-  coral | clear
0Q04A H1 A9
-  silver | clear
0Q04A G7 A9
-  gold plated | clear
0Q04A L6 A9

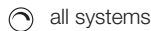
Body



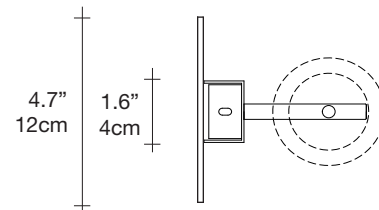
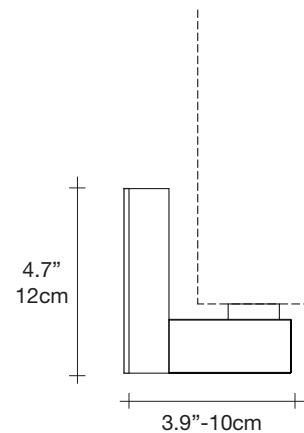
Light source
120V ~ 50/60Hz



dimmable with



Canopy



Capturing a moment in time, Frame features a metal coral leaf, enclosed inside a borosilicate glass preserving a delicate imprint of nature. Hidden inside is a single bulb which glows from within. Creating a stirring light that projects a dynamic shadow due to the permeable coral. Frame is available in white, red, gold plated or silver plated. Design Terzani Lab.