

# Etoile, twinkling in an *indoor sky*.

design Christian Lava  
terzani.com

# TERZANI



**Name**  
Etoile  
wall sconce

**Materials**  
metal

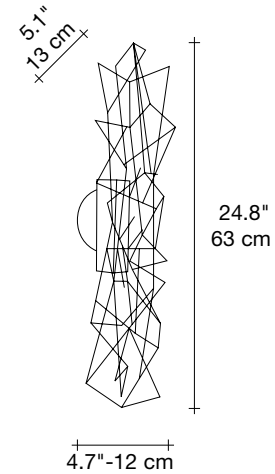


**Finishes | Code**



nickel plated  
OP03A E7 C8

**Body |**



**Light source options**

**120V ~ 50/60Hz**



XENON  
6 × 10W G4 12V

or



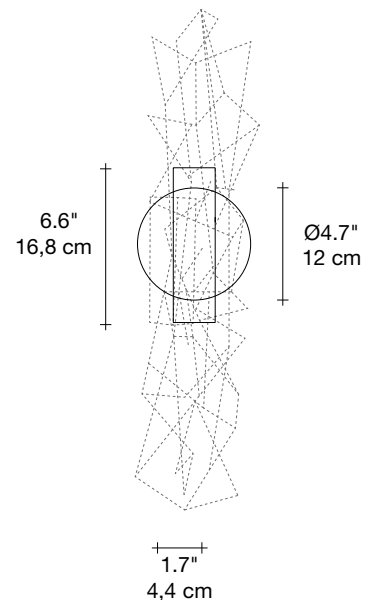
LED  
6 × 2W G4 12V

**dimnable options**



ELV

**Canopy |**



Etoile's intricate network of intersecting nickel lines recalls constellations in a clear night sky. Strategically placed bulbs cast a starry light, twinkling as viewers move around the pendant. By projecting these complex patterns throughout the room, Etoile casts a heavenly glow in any space. Design Christian Lava.