

Core, eruption of light.

design Christian Lava
terzani.com

TERZANI
LA LUCE PENSATA



Name

Core
pendant light

Materials

brass | clear glass



Finishes | Code



nickel plated | clear glass
0P22S E7 A9

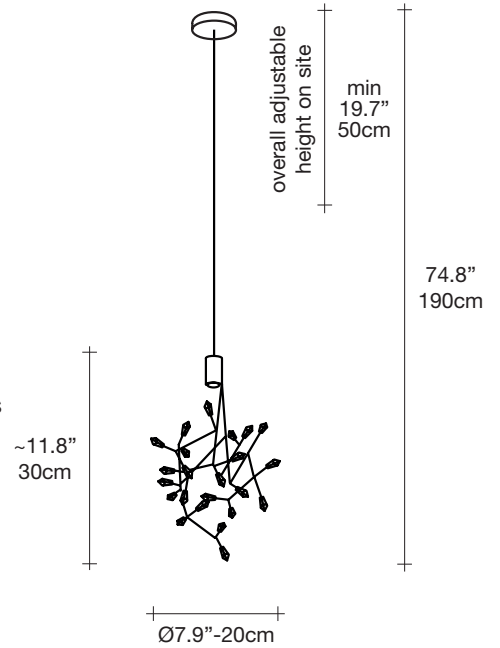


black nickel plated | clear glass
0P22S E9 A9



gold plated | clear glass
0P22S L6 A9

Body



Light source

120V ~ 50/60Hz

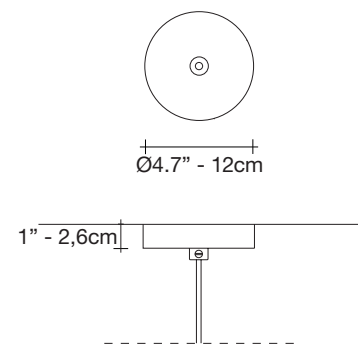


Built in Replaceable LED Module
2,1W 194 lm 3000K
or optional 172 lm 2700K



not dimmable

Canopy



Core is reminiscent of the natural energy at the heart of our world. Like bright lava seeping through the earth's crust, vibrant spheres of faceted glass break through the iron surface of this pendant. Forcing light to pass through this metal structure results in a powerful, vibrant exchange of forces light and shadow erupt across the room, as the LED light pours through, as the light itself emits an organic radiance. Design Christian Lava.