

# Calle, perennial *elegance.*

design Draw  
terzani.com




**Name**  
Calle  
3 round multi light pendant

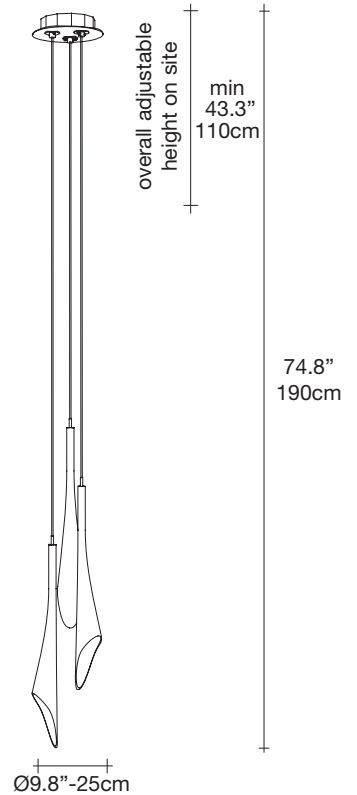
**Materials**  
clear crystal (24% lead)



**Finishes | Code**

 clear  
OT03S E8 A9

**Body**



**Light source options**

120V ~ 50/60Hz

 XENON BI-PIN T3  
3 x 20W G4 12V

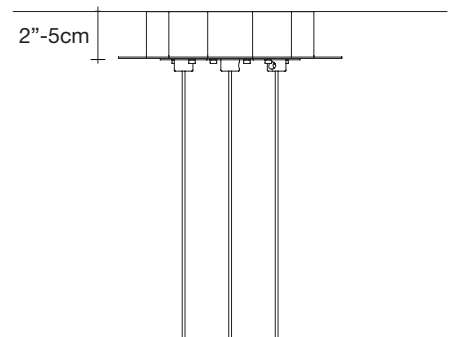
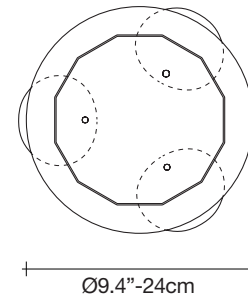
or

 LED  
3 x 2W G4 12V

dimnable options

 ELV

**Canopy | white**



At Terzani, we spend countless days searching the globe for talented new designers, but sometimes they find us. Such is the case with the young designers Luca Martorano and Mattia Albicini who approached us with the design for Calle, a fantastic new light we instantly fell in love with. It showcases our skill at crafting crystal to take the material to an exciting, modern place. Luca and Mattia worked with our craftsmen to create a slender inverted flute of 24% lead crystal that, like the calla lily it mimics, can be grouped into stunning bouquets of light. Design Luca Martorano and Mattia Albicini.