

Atlantis, a precious *wave*.

design Barlas Baylar
terzani.com



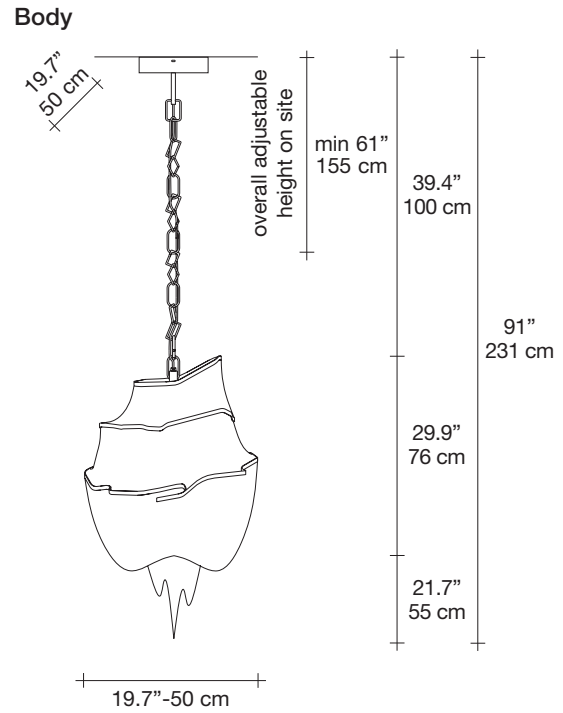
Name
Atlantis
small three tier chandelier

Materials
brass chains | metal
structure plated as below



Finishes | Code

-  nickel plated
0A13S E7 C8
-  black nickel plated
0A13S E9 C8
-  brushed bronze
0A13S F7 C8
-  gold plated
0A13S L6 C8
-  champagne plated
0A13S N1 C8
-  brushed champagne plated
0A13S N7 C8




Light source

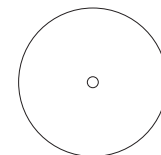
120V ~ 50/60Hz

 LED
6 x 5.5W E12 dimmable

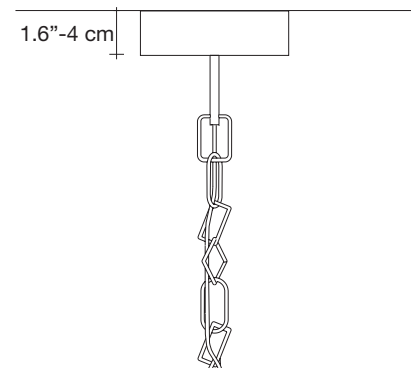
dimmable options

 all systems

Canopy



Ø5.5"-14 cm



Seemingly alive, atlantis' shimmering light creates a vibrant source of energy. Its mesmerizing, organic effect is created by hundreds of illuminated lengths of draped, nickel chain. Like water in the ocean, atlantis' chains appear liquid, cascading over its gloss nickel bands and falling down towards the abyss before turning back into itself. Atlantis is composed of almost three miles of chain, meticulously hand-crafted by master italian artisans. Design Barlas Baylar.