

Argent, a precious, *cloud.*

design Dodo Arslan
terzani.com

TERZANI
LA LUCE PENSATA



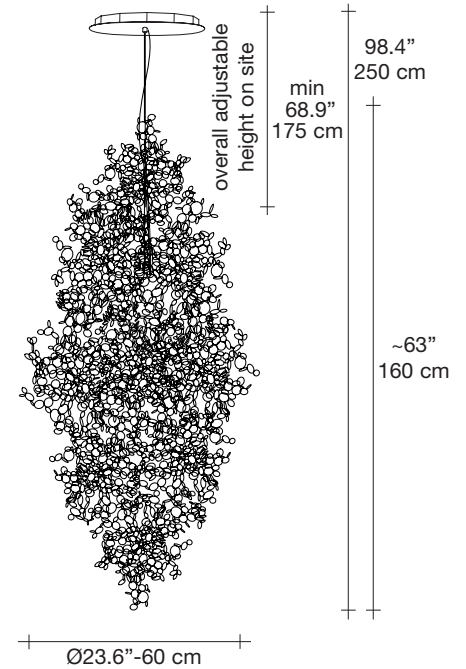
Name
Argent
large chandelier

Materials
stainless steel

Finishes | Code

-  stainless steel
0N94S E7 C8
-  gold plated
0N94S L6 C8
-  rose gold plated
0N94S N4 C8
-  champagne plated
0N94S N1 C8


Body



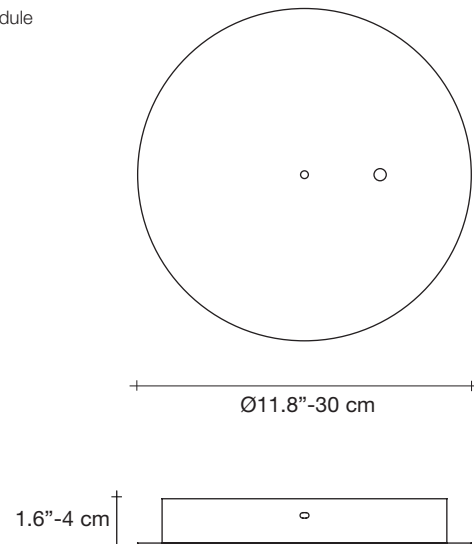
Light source
120V ~ 50/60Hz

-  Built in Replaceable LED Module
18 x 2.1W 5094 lm 3000K
or optional 4554 lm 2700K

dimnable options

-  0/1-10V
PUSH
DALI

Canopy | nickel or white



With this new suspension light, designer Dodo Arslan creates a shimmering, silver cloud. Argent consists of metal discs that have been meticulously joined by hand by Terzani craftsmen into clusters. Once lit, the multiple, angled surfaces of the discs emanate a soft, shimmering glow. Design Dodo Arslan.