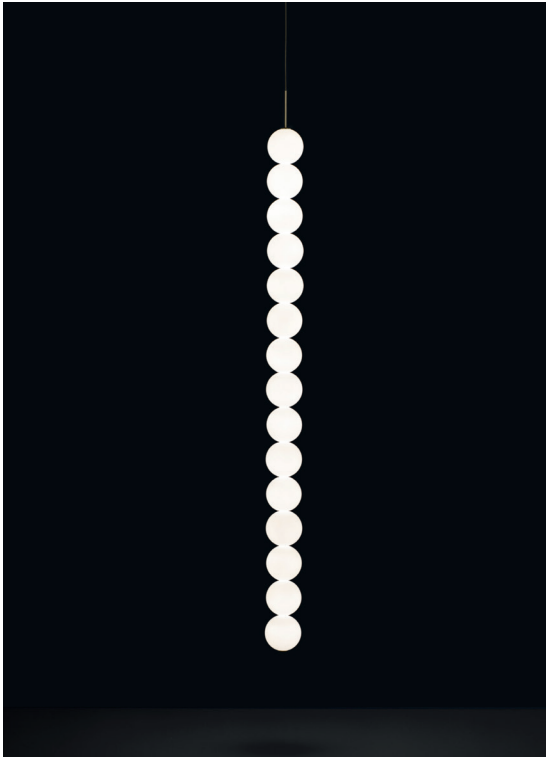


Abacus, multiplying *luminescence*.

design Draw
terzani.com



Product Name
Abacus
large pendant light

Materials
brass | satin white glass



Finishes | Code

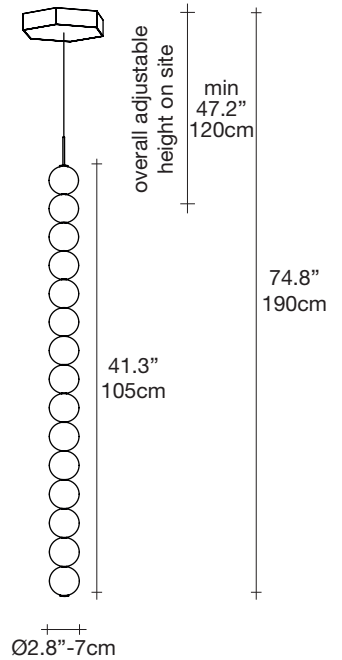


white canopy | brass
0V01S E8 B P 1F



satin brass canopy | brass
0V01S M3 B P 1F

Body | 15 spheres



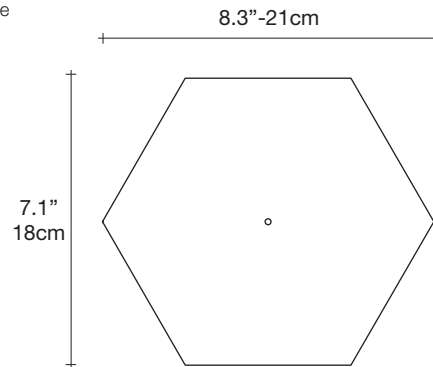
Light source
120V ~ 50/60Hz

Built in Replaceable LED Module
10.8W
1620 lm 3000K

dimmmable with

0-10V
PWM

Canopy



Used for centuries as the tool to both teach and communicate mathematics, the abacus was found in one form or another across the ancient world. At Terzani, we saw the beauty in the abacus' mathematical purity and clean, functional design. In the hands of Terzani's craftsmen, we've turned this inspiration into a new collection of modular pendant lamps whose flexibility allows for complex and beautiful configurations. Each module, or strand, of Abacus contains a custom set of round, hand-blown opal glass which emit a soft and uniform light. And, as the original abacus was used to calculate everything from simple addition to complex formulas, we've retained the same scalability. Due to its customization, our Abacus light is just as suitable in a home as a commercial space, and its almost infinite configurations makes sure you always come up with the right solution.