

# Mizu, flowing light.

design Nicolas Terzani  
terzani.com

**TERZANI**  
LA LUCE PENSATA



**Name**  
Mizu  
3 light pendant

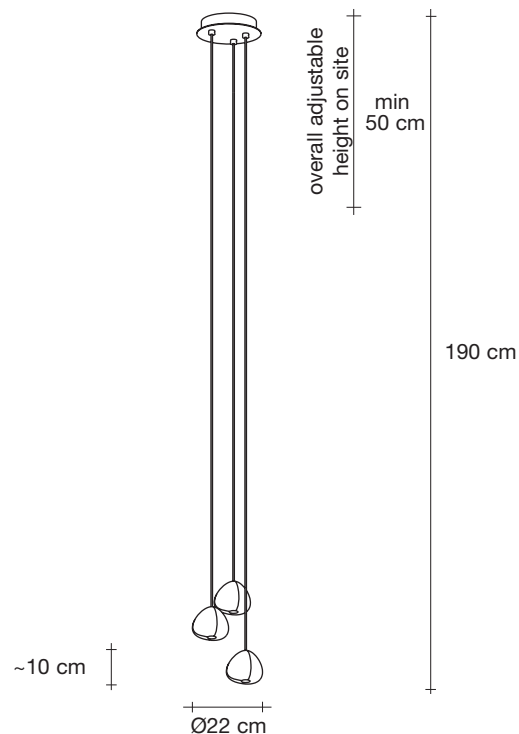
**Materials**  
crystal

CE ENEC CB

### Finishes | Code

-  clear  
OR03S H4 A9
-  champagne  
OR03S E8 H1
-  cognac  
OR03S E8 H4
-  silver dust  
OR03S H4 F4
-  gold  
OR03S E8 A4

### Body



### Light source options

230-240V ~ 50/60Hz

 HALOGEN  
3 x 10W G4 12V


or

 LED  
3 x 2W G4 12V

or

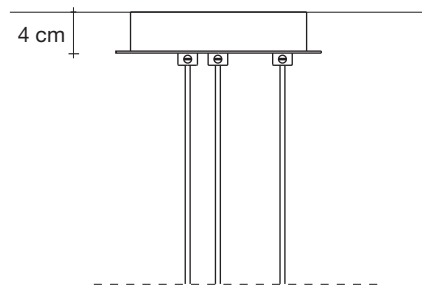
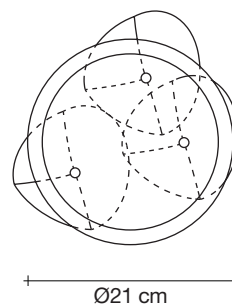
 Built in Replaceable LED Module  
3 x 1,5W 438 lm 3000K  
or optional 387 lm 2700K

### dimnable options

 not dimmable

 IGBT  
1-10V  
PUSH  
DALI

### Canopy | white or brushed nickel plated



Inspired by the tranquil and mesmerizing light refractions created by water, Mizu is a customizable pendant light from Terzani. Like water droplets, no two Mizu are alike, each crystal shape is unique and made meticulously by hand. Using only the clearest crystal, Mizu perfectly emulates water's refraction of light, casting amazing patterns around the room, reminiscent of flowing water. Available in clear, silver dust, gold, cognac and champagne finish. Design Nicolas Terzani. Made in Italy.