

Frame, nature's, *imprint.*

design Terzani Lab
terzani.com

TERZANI
LA LUCE PENSATA



Name
Frame
wall sconce

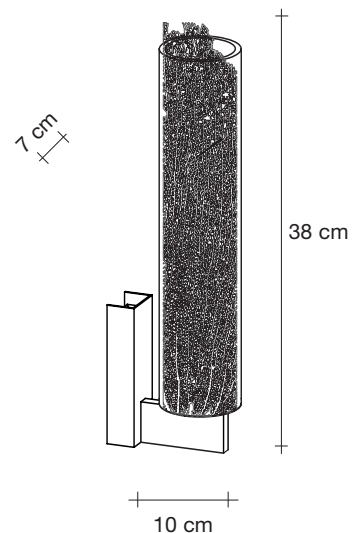
Materials
clear



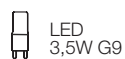
Finishes | Code

-  white | clear
0Q04A E8 A9
-  silver plated | clear
0Q04A G7 A9
-  gold plated | clear
0Q04A L6 A9


Body



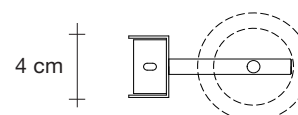
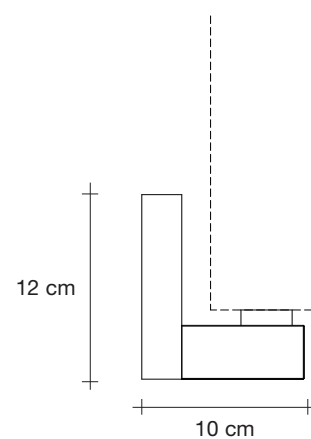
Light source
230-240V ~ 50/60Hz



dimnable options

 all systems

Canopy



Capturing a moment in time, Frame features a metal coral leaf, enclosed inside a borosilicate glass preserving a delicate imprint of nature. Hidden inside is a single bulb which glows from within. Creating a stirring light that projects a dynamic shadow due to the permeable coral. Frame is available in white, red, gold plated or silver plated. Design Terzani Lab. Made in Italy.