

Doodle, freehand *design.*

design Simone Micheli
terzani.com

TERZANI
LA LUCE PENSATA



Name
Doodle
wall sconce

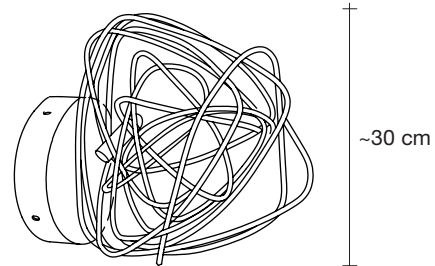
Materials
brass

CE ENEC CB

Finishes | Code

-  nickel plated
OJ82A E7 C8
-  black amethyst
OJ82A M4 C8
-  gold plated
OJ82A L6 C8
-  copper (may age naturally)
OJ82A L5 C8


Body




Light source
230-240V ~ 50/60Hz

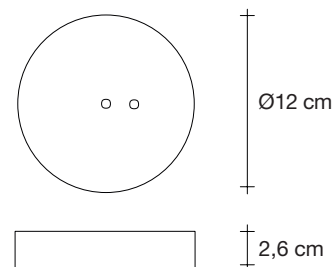
 LED
2W G4 12V

dimmable options

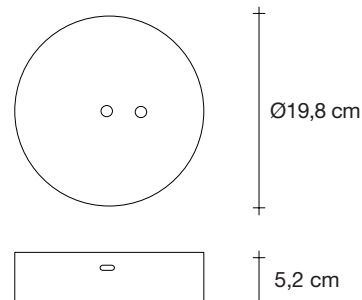
 not dimmable

 10-100kΩ
0/1-10V
PUSH
DALI

Canopy



Canopy for DALI



We no longer march in a straight line. Our lives are dynamic, intertwining collections of relationships, experiences and journeys. Reflecting the fluidity of our generation, designer Simone Micheli has created a new, contemporary light for Terzani, Doodle. Like us, each Doodle is unique, each pendant is handcrafted by artisans to resemble a randomised path. And, to give us control over the journey we want to take, each led bulb can be placed anywhere on the light, not only reflecting the choices we make in life, but giving Doodle a special flexibility. Available in nickel, black amethyst, gold and copper plated finishes. Design Simone Micheli. Made in Italy.