

Atlantis, a precious *wave*.

design Barlas Baylar
terzani.com

TERZANI
LA LUCE PENSATA






Name
Atlantis
large wall sconce

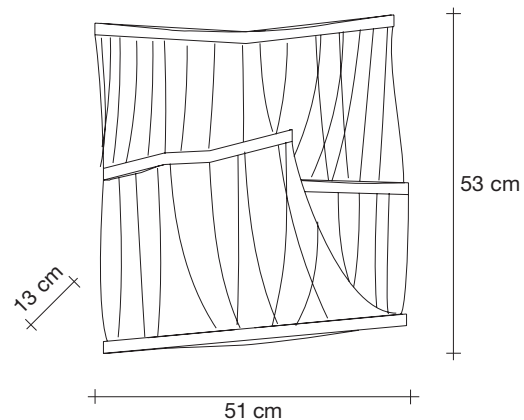
Materials
brass chains | metal
structure plated as below



Finishes | Code

-  nickel plated
OJ03A E7 C8
-  black nickel plated
OJ03A E9 C8
-  brushed bronze
OJ03A F7 C8
-  gold plated
OJ03A L6 C8
-  champagne plated
OJ03A N1 C8
-  brushed champagne plated
OJ03A N7 C8


Body



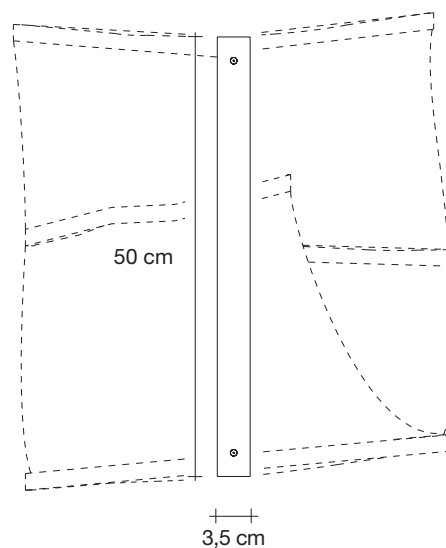
Light source
220-240V ~ 50/60Hz

 LED
4 x 6W E14 dimmable

dimmable options

 all systems

Canopy



Seemingly alive, Atlantis' shimmering light creates a vibrant source of energy. Its mesmerizing, organic effect is created by hundreds of illuminated lengths of draped, nickel chain. Like water in the ocean, Atlantis' chains appear liquid, cascading over its gloss nickel bands and falling down towards the abyss before turning back into itself. Atlantis is composed of almost three miles of chain, meticulously hand-crafted by master Italian artisans. Design Barlas Baylar. Made in Italy.