

# Atlantis, a precious *wave*.

design Barlas Baylar  
terzani.com

**TERZANI**  
LA LUCE PENSATA



**Name**  
Atlantis  
small three tier chandelier

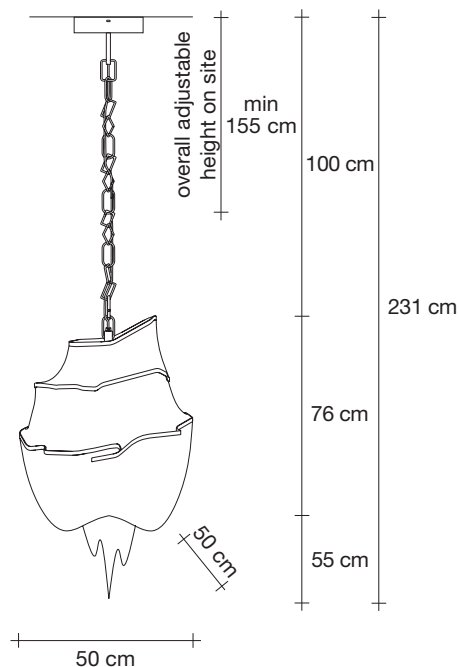
**Materials**  
brass chains | metal  
structure plated as below



### Finishes | Code

-  nickel plated  
0A13S E7 C8
-  black nickel plated  
0A13S E9 C8
-  brushed bronze  
0A13S F7 C8
-  gold plated  
0A13S L6 C8
-  champagne plated  
0A13S N1 C8
-  brushed champagne plated  
0A13S N7 C8

### Body




### Light source

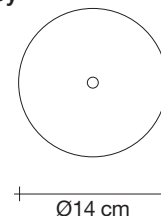
230-240V ~ 50/60Hz

 LED  
6 x 6W E14 dimmable

dimmable options

 all systems

### Canopy



Seemingly alive, Atlantis' shimmering light creates a vibrant source of energy. Its mesmerizing, organic effect is created by hundreds of illuminated lengths of draped, nickel chain. Like water in the ocean, Atlantis' chains appear liquid, cascading over its gloss nickel bands and falling down towards the abyss before turning back into itself. Atlantis is composed of almost three miles of chain, meticulously hand-crafted by master Italian artisans. Design Barlas Baylar. Made in Italy.

