

# Argent, a precious, *cloud.*

design Dodo Arslan  
terzani.com

**TERZANI**  
LA LUCE PENSATA



**Name**  
Argent  
pendant light

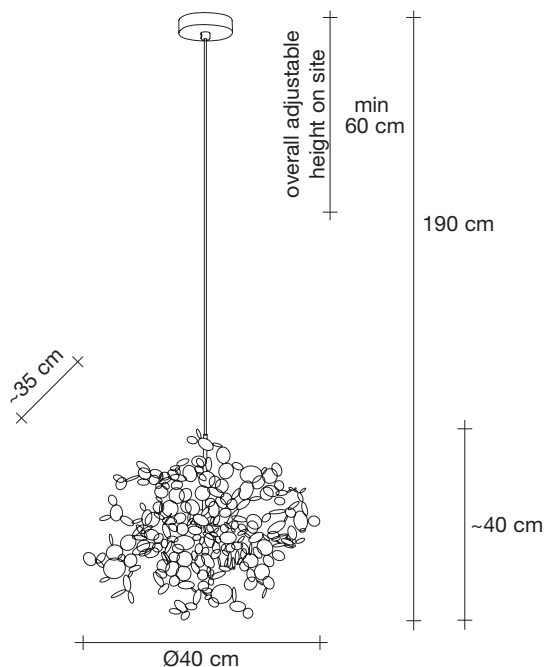
**Material**  
stainless steel

CE ENEC CB

### Finishes | Code

-  stainless steel  
ON90S E7 C8
-  gold plated  
ON90S L6 C8
-  rose gold plated  
ON90S N4 C8
-  champagne plated  
ON90S N1 C8

### Body



### Light source options


230-240V ~ 50/60Hz

 HALOGEN  
3 x 20W G4 12V

or

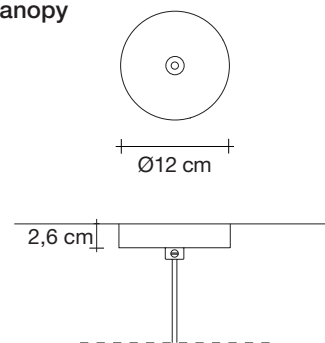
 LED  
3 x 2W G4 12V

#### dimming options

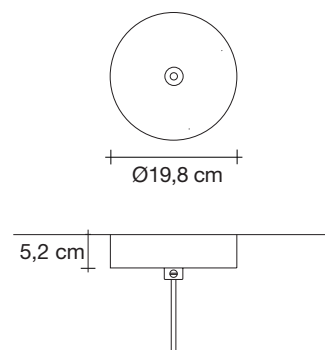
 not dimmable

 IGBT  
TRIAC  
DALI

### Canopy



### Canopy for DALI



With this new suspension light, designer Dodo Arslan creates a shimmering, silver cloud. Argent consists of metal discs that have been meticulously joined by hand by Terzani craftsmen into clusters. Once lit, the multiple, angled surfaces of the discs emanate a soft, shimmering glow. Design Dodo Arslan. Made in Italy.