

In Greek mythology, Gaia is the personification of the Earth and the mother of all life. Looking to capture the mythical and natural beauty of this Earth goddess, designer Jean-François Crochet has created the Gaia pendant light. Consisting of geometric frames reminiscent of the mountains Gaia created, the pendant uses led light to push light through the “cracks” formed. The resulting light creates a magical feeling, as if the lights peeking through were alive themselves. Also available in gold, nickel, and wood finish and in custom configurations, Gaia adds a vibrancy and sacred light to any space. Design Jean-François Crochet.

Gaia, earth mother.

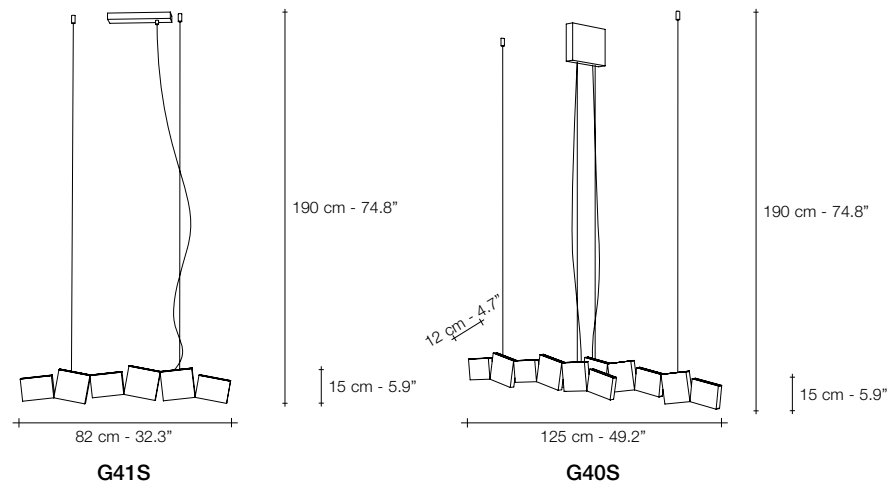




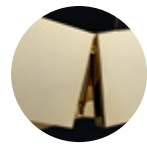








NICKEL PLATED



GOLD PLATED



MATT WALNUT

		G41S	G40S
230V	Replaceable LED module	12x1,5W	24x1,5W
	3000K / 2700K	1752 lm / 1548 lm	3504 lm / 3096 lm
	Dimmable	1-10V PUSH/DALI	0/1-10V PUSH/DALI
120V	Replaceable LED module	12x1.5W	24x1.5W
	3000K / 2700K	1752 lm / 1548 lm	3504 lm / 3096 lm
	Dimmable	1-10V PUSH	0/1-10V PUSH/DALI

Gaia available with integrated LED 3000K or 2700K. Different dimming options on request.

