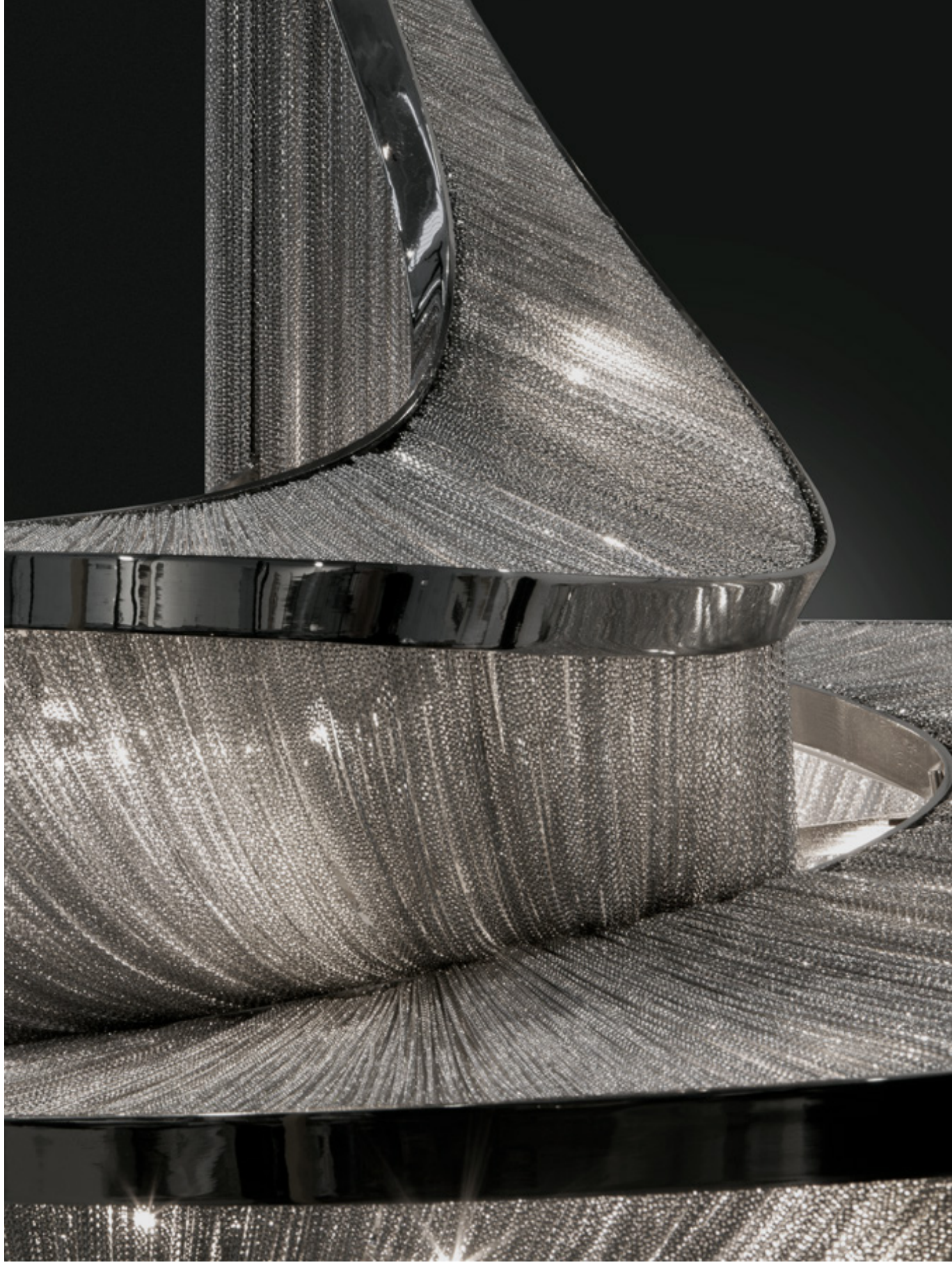


Epoque, cyclical light.

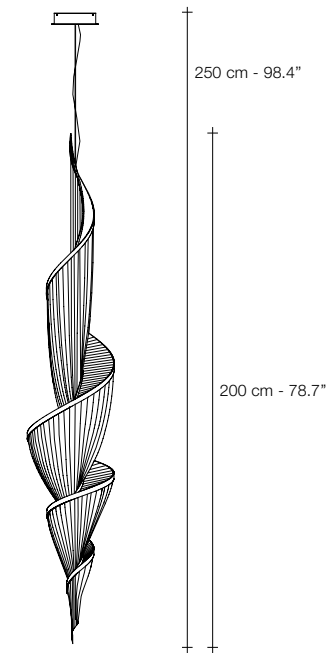
Epoque is a light sculpture designed to study chiaroscuro and volumes. The result is a modern expression of these Renaissance-era techniques in a stunning chandelier. Composed of curved, organic lines, Epoque's frame is made of flexible and durable brass metal, suspended by metal chains. Two bands of metal, a central elongated section, and an external band of wide arcs allow the light to envelop a room in reflections of soft light. Epoque has attracted attention from those in the design community with discerning tastes. Epoque is available in nickel, black nickel, bronze, and gold finish. Design Stefano Papi & Saviz Yaghmai.





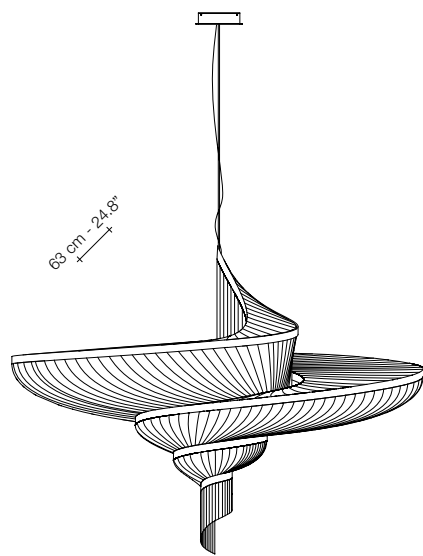






Ø35 cm - 13.8"

G91S



63 cm - 24.8"

190 cm - 74.8"

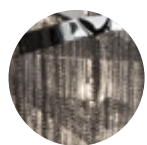
103 cm - 40.5"

136 cm - 53.5"

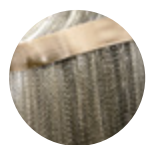
G90S



NICKEL PLATED



BLACK NICKEL PLATED



BRUSHED BRONZE



GOLD PLATED

		G91S	G90S
230V	Replaceable LED module	12x2,1W	20x2,1W
		3000K	2328 lm
	2700K	2064 lm	3440 lm
	Dimmable	0/1-10V PUSH/DALI	PUSH DALI
120V	Replaceable LED module	12x2,1W	20x2,1W
		3000K	2328 lm
	2700K	2064 lm	3440 lm
	Dimmable	0/1-10V PUSH/DALI	1-10V PWM 10-100kΩ

Epoque available with integrated LED 3000K or 2700K. Different dimming options on request.

