

Used for centuries as a tool to both teach and communicate mathematics, the abacus was found in one form or another across the ancient world. At Terzani, we saw the beauty in the abacus' mathematical purity and clean, functional design.

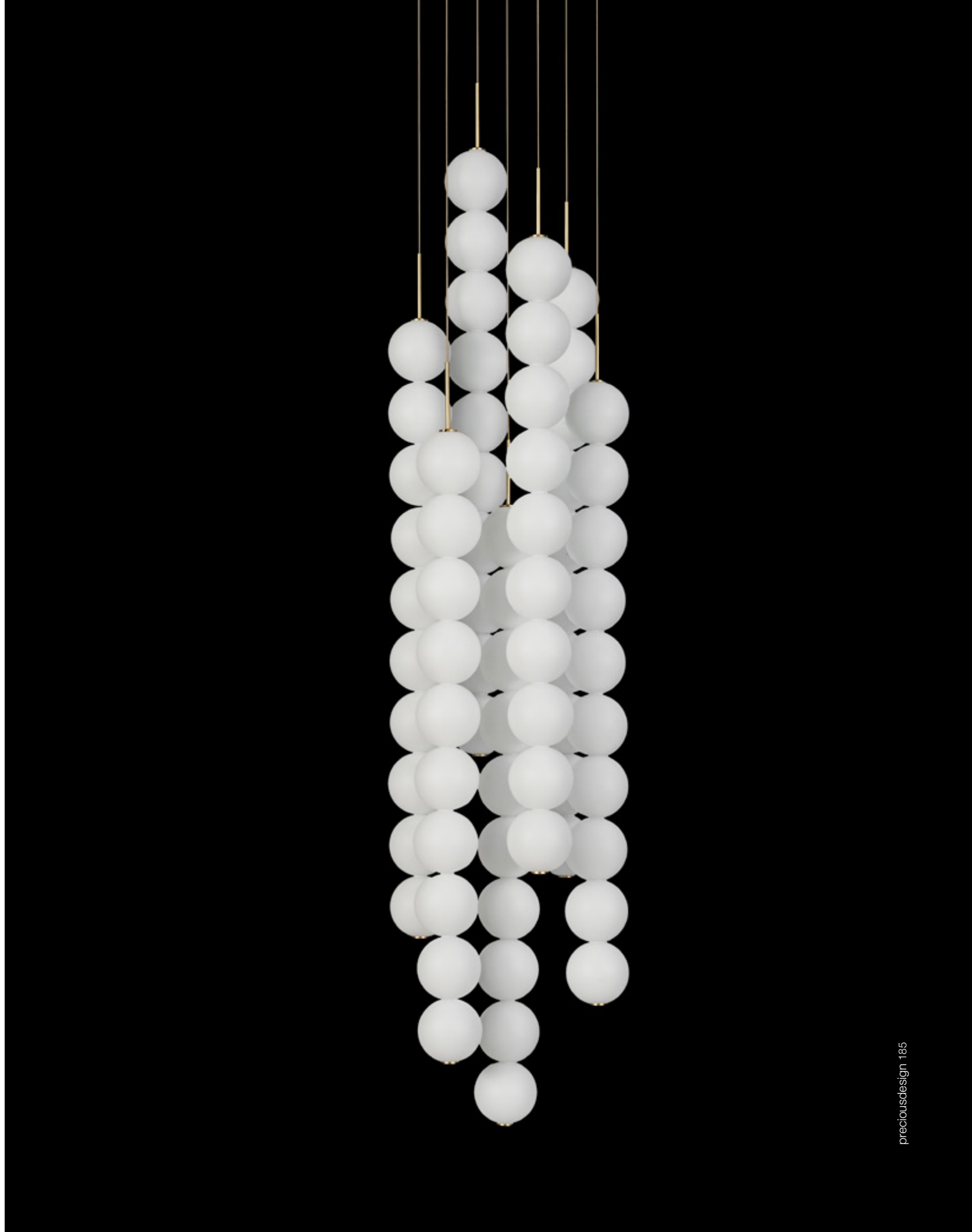
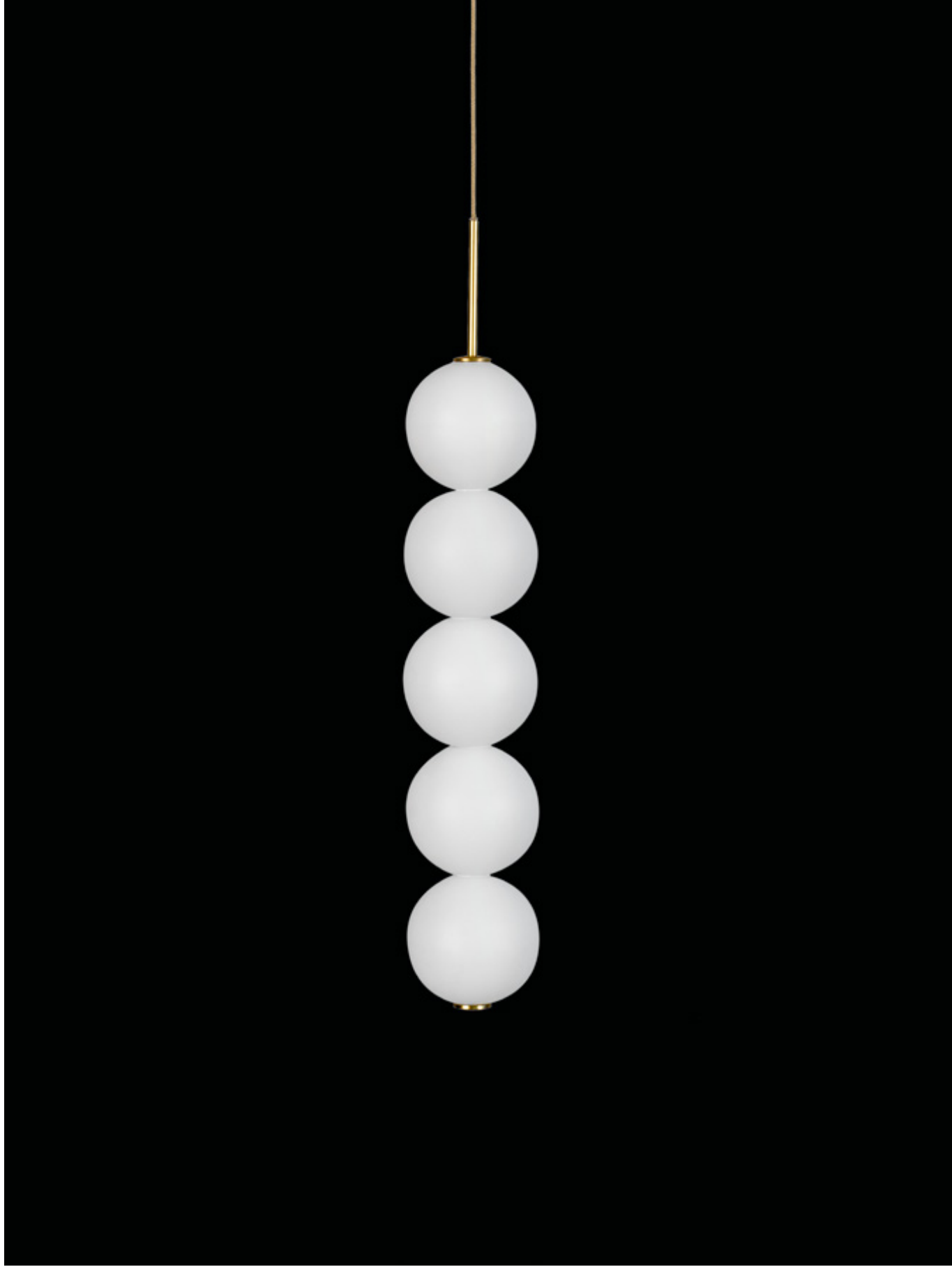
## Abacus, multiplying luminescence.

In the hands of Terzani's craftsmen, we've turned this inspiration into a new collection of modular pendant lamps whose flexibility allows for complex and beautiful configurations. Each module, or strand, of Abacus is made of a custom set of round, hand-blown opal glass that emits a soft and uniform light. And, as the original abacus was used to calculate everything from simple addition to complex formulas, we've retained the same scalability. Due to its customization, our Abacus light is just as suitable in a home as in a commercial space, and its almost infinite configurations ensure you always find the right solution. Design Draw.



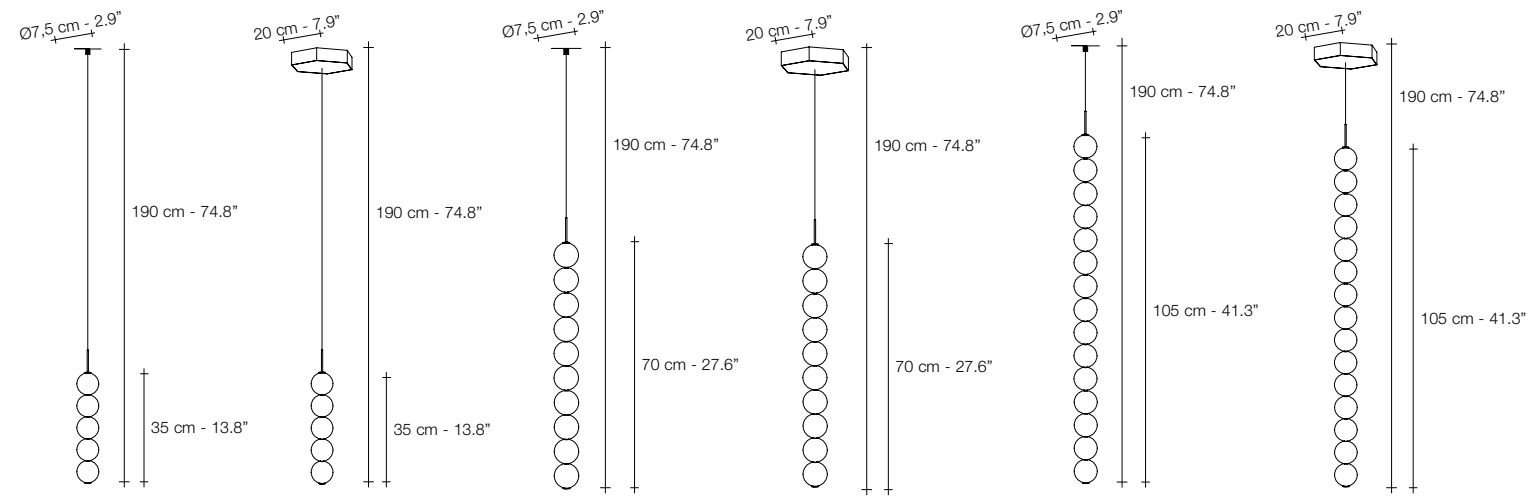




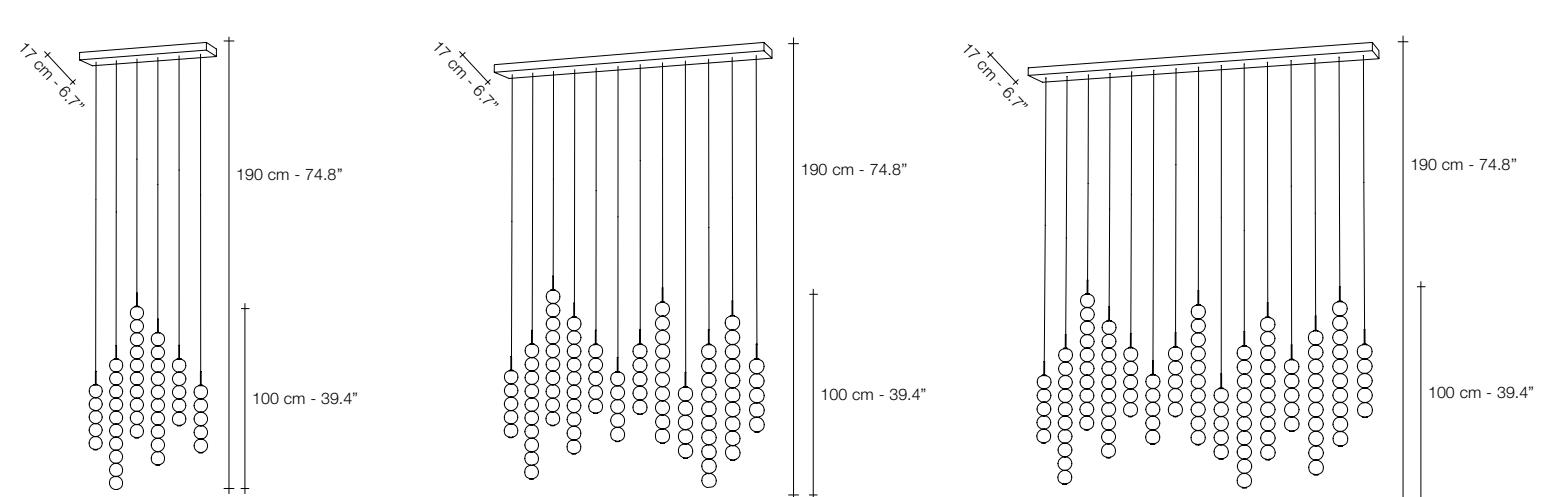




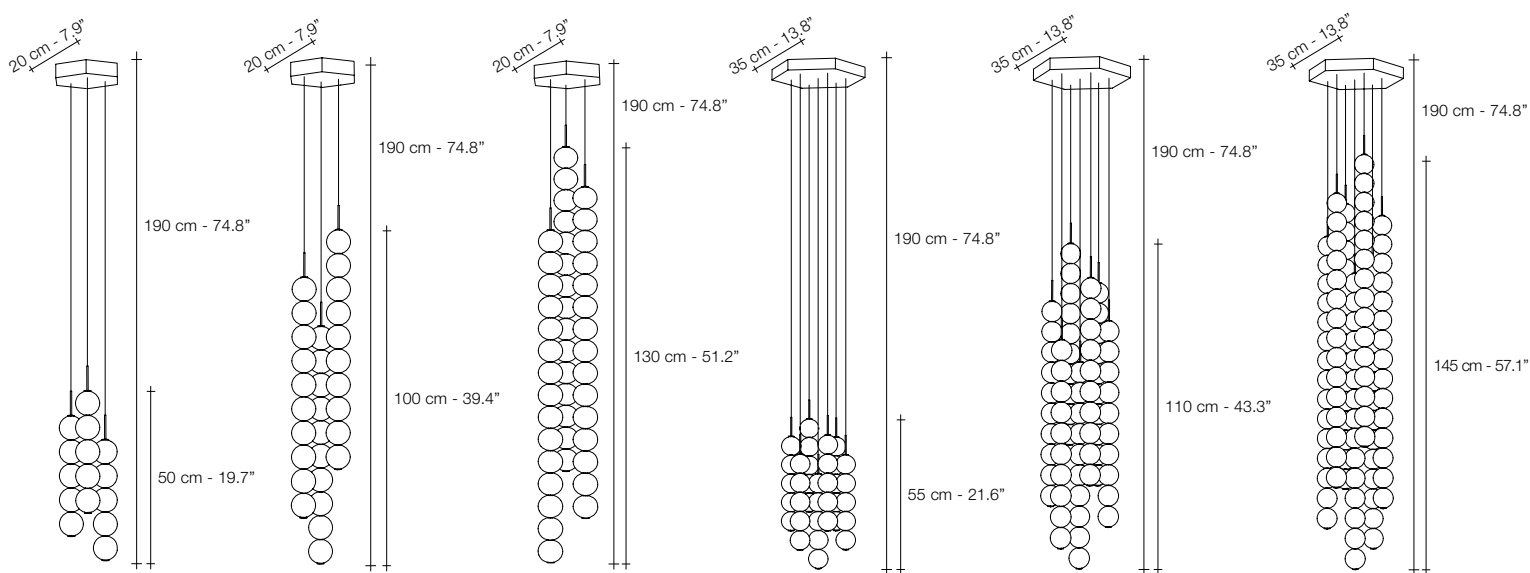




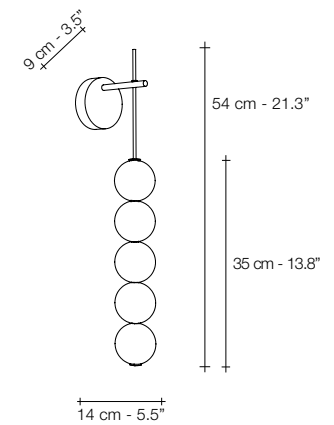
**V01S 15KK** 5 spheres WHITE DISC  
**V01S P15** 5 spheres  
**V01S 1AKK** 10 spheres WHITE DISC  
**V01S P1A** 10 spheres  
**V01S 1FKK** 15 spheres WHITE DISC  
**V01S P1F** 15 spheres



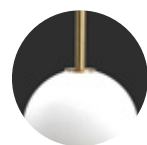
**V06S R2B** 3x5 - 3x10 spheres  
**V12S R3M** 6x5 - 6x10 spheres  
**V15S R4D** 7x5 - 8x10 spheres



**V03S P1F** 3x5 spheres  
**V03S P1V** 3x10 spheres  
**V03S P2B** 3x15 spheres  
**V07S P21** 7x5 spheres  
**V07S P32** 7x10 spheres  
**V07S P43** 7x15 spheres



**V01A 15**  
 5 spheres  
 N/A in North America



BRASS | WHITE GLASS

	LIGHT SOURCE	V01S 15KK	V01S P15	V01S 1AKK	V01S P1A	V01S 1FKK	V01S P1F	V03S P1F	V03S P1V	V03S P2B	V07S P21	V07S P32	V07S P43
230V	Replaceable LED module 3000K	3,6W 540 lm	3,6W 540 lm	7,2W 1080 lm	7,2W 1080 lm	10,8W 1620 lm	10,8W 1620 lm	3 x 3,6W 1620 lm	3 x 7,2W 3240 lm	3x10,8W 4860 lm	7 x 3,6W 3780 lm	7 x 7,2W 7560 lm	7 x 10,8W 11340 lm
	Dimmable	0/1-10V PWM 10-100kΩ PUSH/DALI	0/1-10V PWM 10-100kΩ PUSH/DALI	0/1-10V PWM 10-100kΩ PUSH/DALI	0/1-10V PWM 10-100kΩ PUSH/DALI	0/1-10V PWM 10-100kΩ PUSH/DALI	0/1-10V PWM 10-100kΩ PUSH/DALI	0/1-10V PWM 10-100kΩ PUSH/DALI	0/1-10V PWM 10-100kΩ PUSH/DALI	0/1-10V PWM 10-100kΩ PUSH/DALI	0/1-10V PWM 10-100kΩ PUSH/DALI	0/1-10V PWM 10-100kΩ PUSH/DALI	0/1-10V PWM 10-100kΩ PUSH/DALI
120V	Replaceable LED module 3000K	3,6W 540 lm	3,6W 540 lm	7,2W 1080 lm	7,2W 1080 lm	10,8W 1620 lm	10,8W 1620 lm	3 x 3,6W 1620 lm	3 x 7,2W 3240 lm	3 x 10,8W 4860 lm	7 x 3,6W 3780 lm	7 x 7,2W 7560 lm	7 x 10,8W 11340 lm
	Dimmable	0-10V PWM	0-10V PWM	0-10V PWM	0-10V PWM	0-10V PWM	0-10V PWM	0-10V PWM	0-10V PWM	0-10V PWM	0-10V PWM	0-10V PWM	0-10V PWM

Different dimming options on request

	LIGHT SOURCE	V06S R2B	V12S R3M	V15S R4D	V01A 15
230V	Replaceable LED module 3000K	3 x 3,6W 3 x 7,2W 4860 lm	6 x 3,6W 6 x 7,2W 9720 lm	7 x 3,6W 8 x 7,2W 12420 lm	3,6W 540 lm
	Dimmable	0/1-10V PWM 10-100kΩ PUSH/DALI	0/1-10V PWM 10-100kΩ PUSH/DALI	0/1-10V PWM 10-100kΩ PUSH/DALI	0/1-10V PUSH
120V	Replaceable LED module 3000K	3 x 3,6W 3 x 7,2W 4860 lm	6 x 3,6W 6 x 7,2W 9720 lm	7 x 3,6W 8 x 7,2W 12420 lm	-
	Dimmable	0-10V PWM	0-10V PWM	0-10V PWM	-

Different dimming options on request